

Presentation.

Tecnac Company, has accumulated almost 40 years of experience in the manufacture of Accessories and Systems for aluminum carpentry. From all this experience has emerged a series of values that we consider fundamental for the satisfaction of our customers, which can be summarized in three: **innovation, quality and customer service**, all at a **competitive price**.

At present, we continue to consolidate our presence in the Spanish National Market and we are fully immersed in the International Expansion of our activities, all within the framework of the New Strategic Plan 2015-2018.

Our vision to be a benchmark of quality and service in the national market and to project and consolidate our brand in international markets is still more alive than ever and all our actions are guided by the enthusiasm and passion that these great goals mark us.

In each and every one of the Processes that take place daily in our company, we try to achieve business excellence with the objective of achieving maximum effectiveness and efficiency in the development of our activities.

Aware of the importance of Human Resources as a strategic pillar that really provides a sustainable competitive advantage in the medium and long term, we have a young and at the same time experienced and trained in the company itself through years of hard work.

The Value of Experience and Illusion for the Future.

We are pleased to present you our updated and expanded catalog of Products.
We have grouped more efficiently the technical information, to facilitate your work.
You can find more information on our website: www.tecnac.es
Receive an affectionate greeting.

GENERAL INDEX

 Bottom hang sistem (2-29)

 Sliding (30-43)

 Banister (44-51)

 Various (52-61)



Bottom hang system



Hinges

- National series - 4.
- European series - 6.
- Others - 8.
- Hanging/Folding - 10.
- Tilt and Turn sistem - 12.



Handles

- Recoverable and pressure closure - 16.
- Cremone - 18.



Side hang sistem

- Catches - 20.
- Compasses - 21.



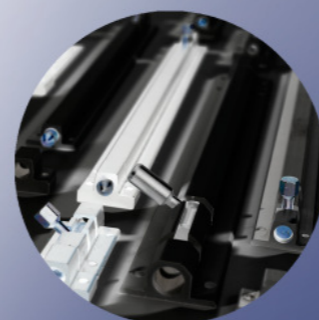
Pull handles

- Duo - 22.
- Hispalis - 23.
- Inoxcell - 24.



Front plate supplement

- National series - 26.
- European series - 27.



Latches

- Narrow latches - 28.
- Thick latches - 29.

Range of national series hinges



REFERENCE:	420-1	422-3	434-5	430-1 /3-rd leaf	432-3/3- rd leaf	436-7/ 3-rd leaf	404-8
SERIES:	6000-INASA	4000-6000-METALES-INASA	4000-6000-METALES-INASA	6000-INASA	4000-6000-METALES-INASA	4000-6000-METALES-INASA	4000-6000-METALES-INASA
ANCHORAGE:	Zamak Flanges	Aluminum Flanges	Aluminum Flanges	Zamak Flanges	Aluminum Flanges	Aluminum Flanges	Studs and rivets
NODE DIAMETER:	16 mm	16 mm	14 mm	16 mm	16 mm	14 mm	16 mm
AXIS DIAMETER:	8 mm Iron / stainless	8 mm Iron / stainless	7 mm Iron / stainless	8 mm Iron / stainless	8 mm Iron / stainless	7 mm Iron / stainless	8 mm Iron / stainless
CAP:	Yes (Nylon)	Yes (Nylon)	Yes (Nylon)	Yes (Nylon)	Yes (Nylon)	Yes (Nylon)	Yes (Nylon)
SCREWS:	5x10 stainless	5x10 stainless	5x10 stainless	5x10 Stainless	5x10 Stainless	5x10 Stainless	-
STUD:	5x8 stainless(opt)	5x8 stainless (opt)	5x8 stainless (opt)	5x8 Stainless (opt)	5x8 Stainless (opt)	5x8 Stainless (opt)	6x6 Stainless
LENGTH:	100 mm	100 mm	100 mm	100 mm	100 mm	100 mm	100 mm
WEIGHT SUPPORTED *:	80 kg.	80 kg.	75 kg.	80 kg.	80 kg.	75 kg.	85 kg.
3 CORPS:	4020M-4020H	4022M-4020H	4034M-4034H	-	-	-	-
BOX DIMENSIONS:	260x260x210	260x260x210	260x260x210	260x260x210	260x260x210	260x260x210	260x260x210
WEIGHT / BOX:	12,5 Kg	12,5 Kg	11,5 Kg	12,5 Kg	12,5 Kg	11,5 Kg	11,5 Kg
AMOUNT / BOX:	100 un.	100 un.	100 un.	100 un.	100 un.	100 un.	100 un.
QUANT. MAX. EUROPALLET:	6.000 un.	6.000 un.	6.000 un.	6.000 un.	6.000 un.	6.000 un.	6.000 un.

*Mounting with two hinges.

Range of hinges for national series (4000, 6000, Metals and Inasa).

Hinges with flange anchors.

The references of each series of hinges indicate the even number to the right hinges and the odd to the left hinges.

All hinges are supplied with 5x10 DIN966 stainless steel screws.

All have the option of the shaft in both iron (default TI) and stainless (ETI).

If we want to mount the hinges with fixing stud, we must indicate it (E at the end of the reference).

Example:

-420 ETIE (right hinge with shaft and stainless steel screw and central stud).

-421 TIE (left hinge with iron shaft, stainless steel screws and central stud).

The 3-corps option would be used for doors where it is recommended to mount two double frame sets on the top (M) and two double sheet sets on the bottom (H).

We have finished in white lacquer (LB), black (LNM), silver (LPL), stainless (LINOX), gold (LOR) and metalized (stainless and gold gloss).



Range of European series hinges



REFERENCE:	424-5	428	438-9	4024-5	4050-1	418-9	429
SERIES:	EUROPEAN	EUROPEAN	EUROPEAN 3-rd leaf	EUROPEAN	EUROPEAN	EUROPEAN STRONG FRAME	EUROPEAN
ANCHORAGE:	Zámak / Steel Flanges	Zamak Flanges	Zámak / Steel Flanges	Aluminum Flanges	Aluminum Flanges	Zámak / Steel Flanges	Steel Flanges
NODE DIAMETER:	14 mm	14 mm	14 mm	25 mm	25 mm	14 mm	12 mm
AXIS DIAMETER :	7 mm Iron / stainless	7 mm stainless	7 mm Iron / stainless	10 mm stainless	10 mm stainless	7 mm Iron / stainless	6 mm stainless
CAP :	Yes (Nylon)	Leaf (Nylon)	Yes (Nylon)	Leaf (Nylon)	Leaf (Nylon)	Yes (Nylon)	Leaf (Nylon)
SCREWS:	5x10 steel	5x10 steel	5x10 steel	6x12 steel	6x12 steel	5x10 steel	5x10 steel
STUD:	5x8 steel (opt)	5x8 steel	5x8 steel (opt)	5x8steel	5x8 steel	5x8 steel (opt)	-
LENGTH:	100 mm	100 mm	100 mm	143 mm	100 mm	100 mm	92 mm
WEIGHT SUPPORTED *:	75 kg.	100 kg.	75 kg.	120 kg.	110 kg.	75 kg.	85 kg.
3 CORPS:	4028M-4028H	-	-	-	-	-	-
BOX DIMENSIONS:	260x260x210	260x260x210	260x260x210	420x220x60	420x220x60	260x260x210	260x260x210
WEIGHT/BOX :	11,5 Kg.	13 Kg.	12,5 Kg.	4,5 Kg.	4,5 Kg.	11 Kg.	11 Kg.
AMOUNT/BOX:	100 un.	100 un.	100 un.	12 un.	20 un.	100 un.	100 un.
QUANT. MAX. EUROPALLET:	6.000 un.	6.000 un.	6.000 un.	1.200 un.	2.000 un.	6.000 un.	6.000 un.

*Mounting with two hinges.

Hinge range for European camera series.

Hinges with flange anchors.

The references of each series of hinges indicate the even number to the right hinges and the odd to the left hinges.

All hinges are supplied with 5x10 DIN966 stainless steel screws.

All have the option of the shaft in both- iron (TI) and stainless (ETI).

If we want to mount the hinges with fixing stud, we must indicate it (E) at the end of the reference.

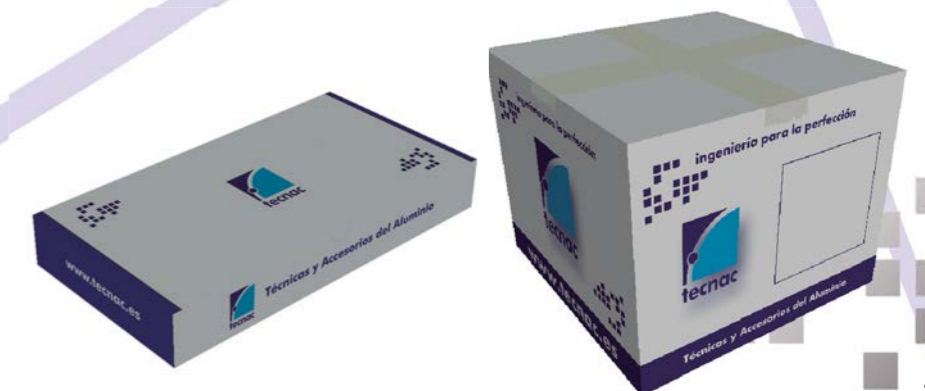
Example:

-424 ETIE (Right hinge with shaft and stainless steel screw and central stud).

-425 TIE (Left hinge with iron shaft, stainless steel screws and central stud).

The 3-corps option would be used for doors where it is recommended to mount two double frame sets on the top (M) and two double sheet sets on the bottom (H).

We have finished in white lacquer (LB), black (LNM), silver (LPL), stainless (LINOX), gold (LOR) and metalized (stainless and gold gloss).





REFERENCE:	460-1	416	410-1	414-5	4201 PIVOTANT	406	407	:REFERENCE
SERIES:	ALUCAN	ALUMINUM-WOOD	M.6000-H.EUROPEAN	SPECIAL EUROPEAN-	EUROPEAN	SHUTTER	SHUTTER	:SERIES
ANCHORAGE:	Zamak Flanges	Zamak Flanges	Aluminum/zamak Flanges	Zamak Flanges	Rivets	Screws	Screws	:ANCHORAGE
NODE DIAMETER:	16 mm	16 mm	14 mm	14 mm	66 mm	12 mm	12 mm	:NODE DIAMETER
AXIS DIAMETER:	8 mm Iron / stainless	7 mm inox	7 mm Iron / stainless	7 mm Iron / stainless	-	7 mm inox	7 mm inox	:AXIS DIAMETER
CAP:	Yes (Nylon)	Leaf (Nylon)	Yes (Nylon)	Yes (Nylon)	Yes (Nylon)	Yes (Nylon)	Yes (Nylon)	:CAP
SCREWS:	5x8 steel	5x10 steel	5x10 steel	5x10 steel	-	3,5x16	3,5x16	:SCREWS
STUD:	5x8 steel (opt)	5x8 steel	5x8 steel (opt)	5x8 steel (opt)	-	-	-	:STUD
LENGTH:	100 mm	100 mm	100 mm	100 mm	62 mm	64,5 mm	63 mm	:LENGTH
WHEIGHT SUPPORTED*:	80 kg.	100 kg.	75 kg.	80 kg.	65 kg.	-	-	:WHEIGHT SUPPORTED*
3 CORPS:	-	-	-	-	-	-	-	:3 CORPS
BOX DIMENSIONS:	260x260x210	260x260x210	260x260x210	260x260x210	260x260x210	260x260x210	260x260x210	:BOX DIMENSIONS
WHEIGHT/BOX:	14,5 Kg	17 Kg	12 Kg	11 Kg	13,5 Kg	7 Kg	7 Kg	:WHEIGHT/BOX
QUANTITY/BOX:	100 un.	100 un.	100 un.	100 un.	25 un.	100 un.	100 un.	:QUANTITY/BOX
QUANT. MAX. EUROPALLET:	6.000 un.	6.000 un.	6.000 un.	6.000 un.	1.500 un.	6.000 un.	6.000 un.	:QUANT. MAX. EUROPALLET

*Mounting with two hinges.

*montaje con dos bisagras.

Range of special hinges for various series (Alucan, Special European, etc ...)

Hinges with flange anchors.

The references of each series of hinges indicate the even number to the right hinges and the odd to the left hinges.

All hinges are fitted with stainless steel screws.

All have the option of the shaft in both iron (default TI) and stainless (ETI).

If we want to mount the hinges with fixing stud, we must indicate it (E at the end of the reference).

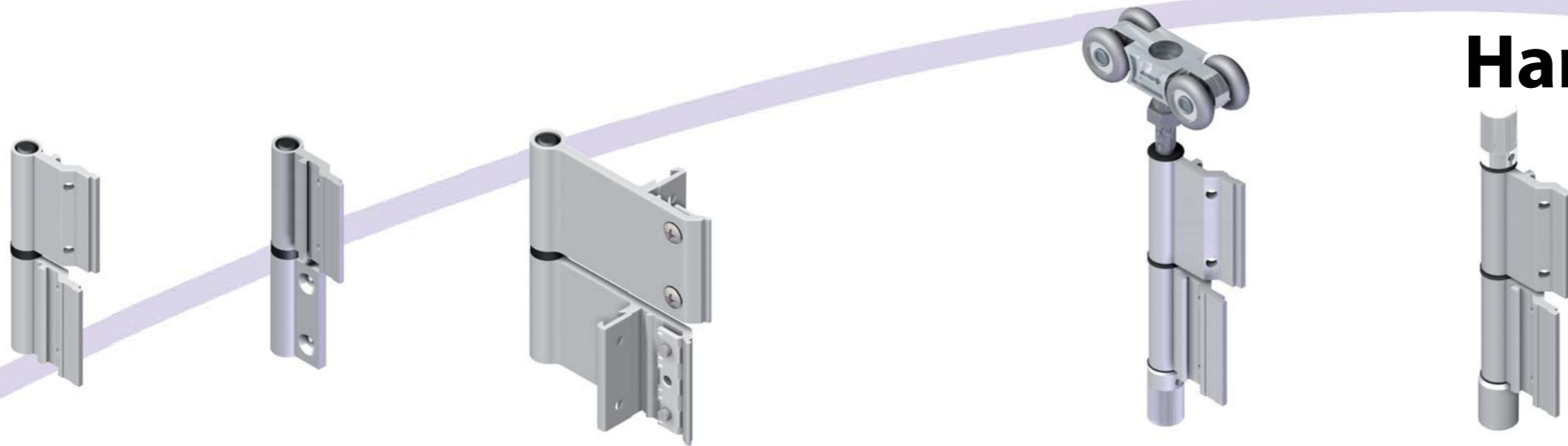
Example:

-460 ETIE (Right hinge with shaft and stainless steel screw and central stud).

-461 TIE (Left hinge with iron shaft, stainless steel screws and central stud).

We have finished in white lacquer (LB), black (LNM), silver (LPL), stainless (LINOX), gold (LOR) and metalized (stainless and gold gloss).





REFERENCE:	4070	4071	4074	4072	4073	:REFERENCE
DESCRIPTION:	Central	Short shovel	Long crease shovel	Superior	Inferior	:DESCRIPTION
ANCHORAGE:	Studs	Screws/ studs	Steel flanges	Studs	Studs	:ANCHORAGE
NODO DIAMETER:	13 mm	13 mm	14 mm	13 mm	13 mm	:NODO DIAMETER
AXIS DIAMETER:	7 mm steel	7 mm steel	7 mm iron/steel	8 mm steel	8 mm steel	:AXIS DIAMETER
CAP:	Yes (Nylon)	Yes (Nylon)	Yes (Nylon)	Yes (Nylon)	Yes (Nylon)	:CAP
SCREWS:	-	5x10 steel	5x8 y 3,9x19 steel	-	-	:SCREWS
STUD:	5x10 steel	5x10 steel	-	5x10 steel	5x10 steel	:STUD
LENGTH:	100 mm	100 mm	100 mm	100 mm	100 mm	:LENGTH
BOX DIMENSIONS:	260x260x210	260x260x210	260x260x210	260x260x210	260x260x210	:BOX DIMENSIONS
QUANTITY/ BOX:	150	200	50	50	100	:QUANTITY/ BOX

Range of folding / hanging hinges.

The set of folding / hanging hinges has 5 types of hinges to form the assembly.

Both the top hinge and the lower hinge, have vertical adjustment for a better adjustment in the assembly.

The hinges are anchored to the blade by fastening studs except for the long blade hinge that uses stainless steel flanges as well as screws with a drill bit for a secure attachment to the profile.

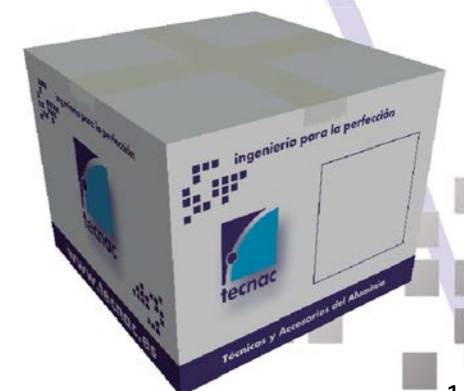
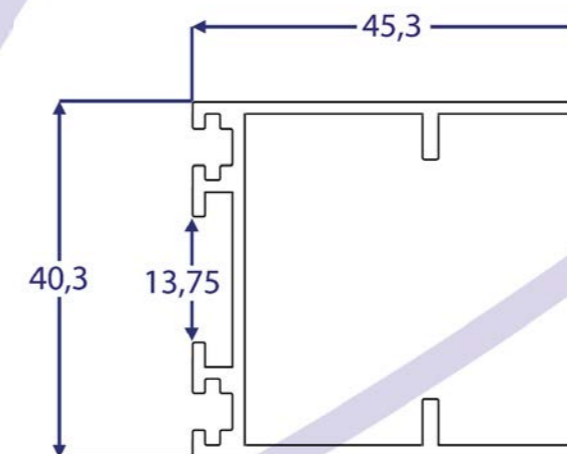
Hinge 4071 uses fastening screws for the short blade while the standard blade is anchored by fixing studs.

The whole range of hinges has stainless steel shafts and screws without exception.

The wheel cart, assembles 4 high-quality bearings to ensure a perfect slide by the top guide.

Check with us the possibility of coupling this system to your personalized profiles.

Profile anchor hinges

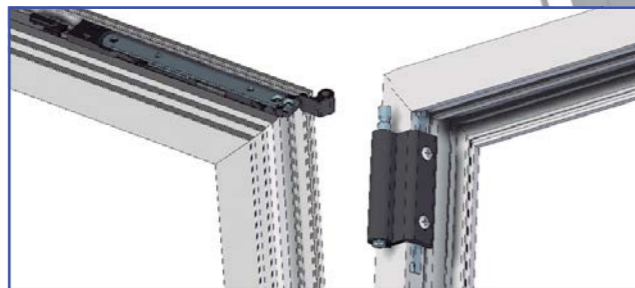




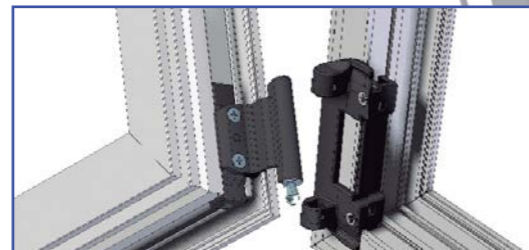
New quick-mount tilt and turn system for the European camera series. The kit is used with the semi-assembled parts for quick and easy assembly in the window. It is accompanied with the appropriate instructions to facilitate the assembly and calculation of the necessary espagnolettes for each measure of window.

There are four types of perfect compasses for each sheet width:

- Short: from 364 to 700 mm
- Medium: 402 to 750 mm
- Long: 562 to 1,700 mm
- Extra long: 816 to 1,700 mm



Both the top and bottom hinges are designed for quick mounting on the profiles. They will be placed making top (superior) and top (inferior), facilitating the work to the assembler, reducing the possible adjustments to the maximum. Being reversible, they are valid both left and right.



The flanges made of stainless steel and the design of the hinges ensure a perfect anchorage and with the consistency that this type of assembly requires. Compatible with the European series of conventional sheet (channel of 20). The different frames for which this system is suitable are detailed on page 15.

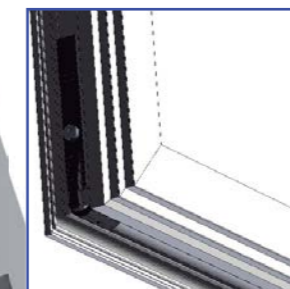


The anti-manuever mechanism is integrated in the angle to reduce the parts to be mounted and thus be located in the upper part of the window as suggested by the safety standards.



The connector with the cremone is optimized for use with any of the tilt and turn cremones available in our product catalog (page 18-19).

The passive blade pins are compatible with tilt and turn blade hardware including the locking points and tilt stop. The closing points are adjustable to facilitate a perfect closing adjustment.





REFERENCE:	1050	1060, 1061, 1062, 1063	1056	1057	1058	:REFERENCE
DESCRIPTION:	Tilt and Turn series Kit	Short, medium, long, extra long compass	Passive blade pins	Extra point	Compass Simulator	:DESCRIPTION
SERIES:	European	European	European	European	European	:SERIES
ANCHORAGE:	Steel flanges	Studs	Screws	Guided	Studs	:ANCHORAGE

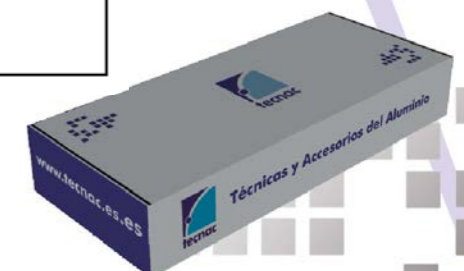
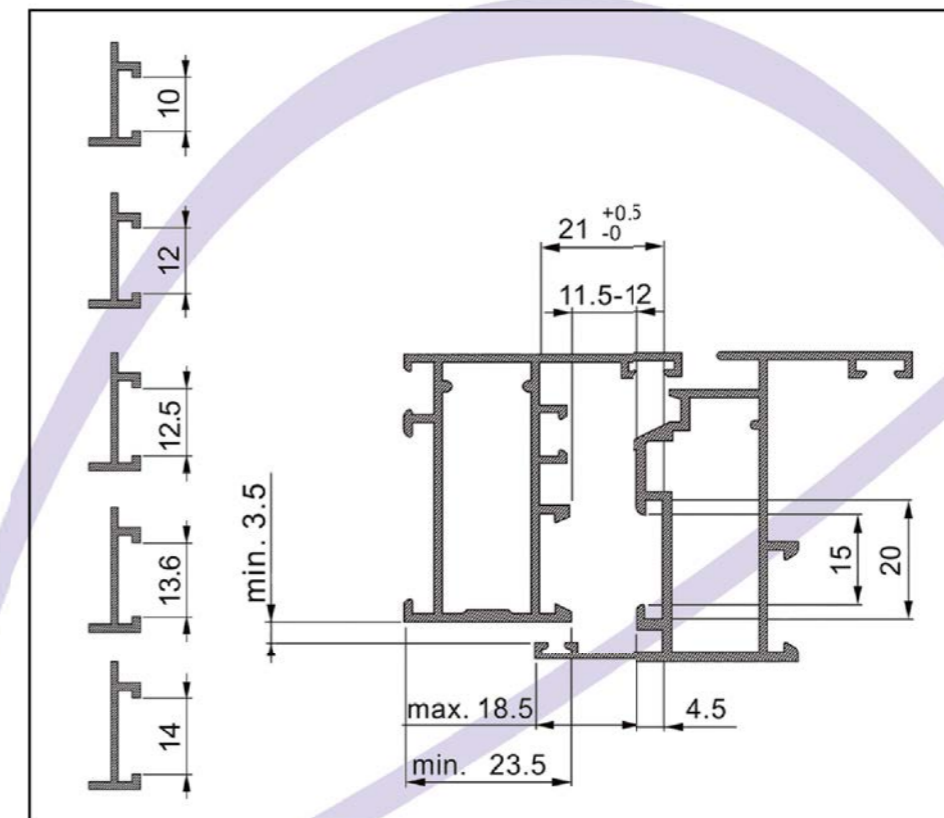
Tilt and Turn Kit Tecnac of fast assembly for windows of up to 130 Kg.
 The base kit consists of the parts of reference 1050 in addition to one of the compasses available depending on the dimensions of the window for which the kit is intended:

- Ref. **1060** Short compass for windows wide 364 to 700 mm.
- Ref. **1061** Medium compass for windows wide 402 to 750 mm.
- Ref. **1062** Long compass for windows wide 562 to 1,700 mm.
- Ref. **1063** Extra long compass for windows wide 816 to 1,700 mm.

The kit of 2 sheets (Ref. 1053) consists of the parts of the base kit in addition to the passive blade pins (Ref. 1056) and any hinges of the European range (pages 6 and 7), but we recommend Ref. If equal hinges are to be used on the two sheets, we will add the superior hinge (Ref. 1051), the inferior hinge (Ref. 1052) and the compass simulator piece (Ref. 1058) which is necessary for the assembly of the superior hinge.

In case we want extra closing points, the kit will be used with a return angle and one or two pins depending on whether we want one (Ref. 1057-1) or two points (Ref. 1057-2). Up to two return angles can be mounted with up to two points each. One would put it connected to the compass and the other on the lower pin of the tilt and turn system. We will join the pins by espagnolette locks and we will mount the opposite locks in the frame where it corresponds.

Can be applied on this range of European camera profiles

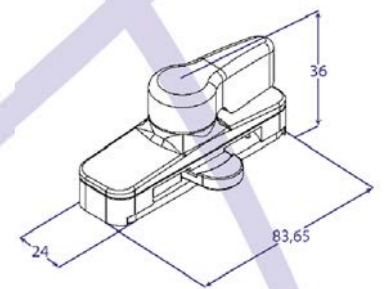
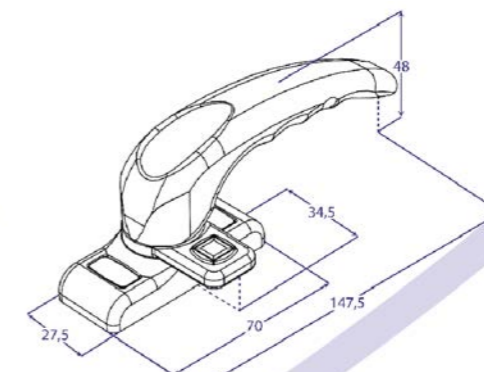
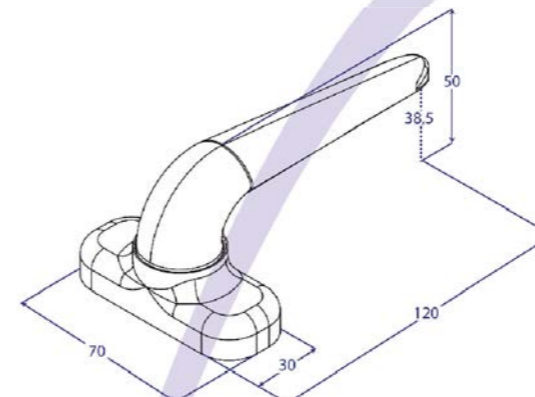
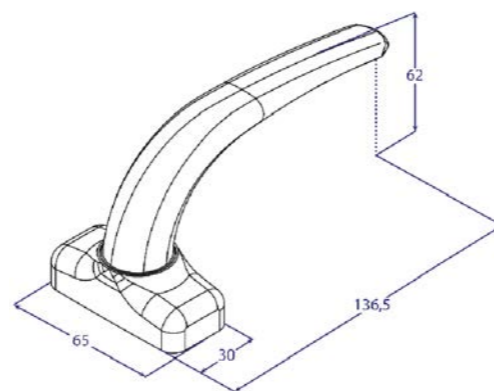
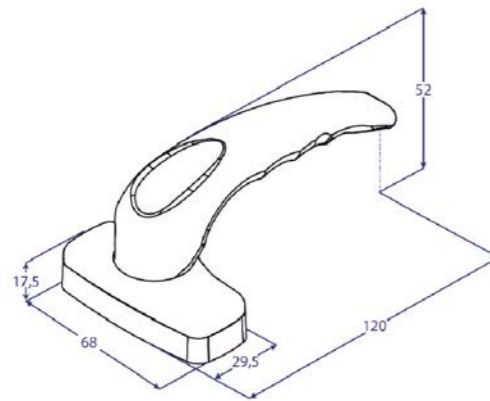


RECOVERABLE / PRESSURE

Handle Range



REFERENCE:	3280 (JUNO)	3284 (BERLIN)	3285 (MERCURIO)	3282 (VENUS)	3302
SERIES:	RETRIEVABLE	RETRIEVABLE	RETRIEVABLE	Pressure closure	Pressure closure
ANCHORAGE:	4 Fixing screws	4 Fixing screws	4 Fixing screws	4 Fixing screws	4 Fixing screws
LENGTH AXLE:	70mm (disp. 100mm)	70mm (disp. 100mm)	70mm	-	-
WIDTH AXLE:	8 mm Zinc plated	8 mm Zinc plated	7 mm Zinc plated	-	-
MATERIAL:	Aluminum / Zamak	Aluminum / Zamak	Zamak	Aluminum / Zamak	Aluminum / Zamak
SCREWS:	Not included	Not included	Not included	Not included	Not included
LENGHT:	120 mm	136,5 mm	120 mm	147,5 mm	147,5 mm
SHIFTED AXLE:	On request	On request	On request	-	-
BAGGED:	Per set	Per set	Per set	Individual	Individual
DIMENSIONS BOX:	360x150x150	360x150x150	360x150x150	360x150x150	360x150x150
WEIGHT/BOX:	8,5 Kg	6 Kg	12 Kg	10,5 Kg	10,5 Kg
QUANTITY/BOX:	10 sets	10 sets	20 sets	25 un.	25 un.
QUANT. MAX. EUROPALLET:	840 sets	840 sets	1.680 sets	2.100 un.	2.100 un.



Range of retrievable and pressure closure handles available. We have finishes in white lacquer (LB), black (LNM), silver (LPL), stainless (LINOX), gold (LOR), metallized (stainless and gold gloss).



We have a retrievable handle with escutcheon. Ref. 3303

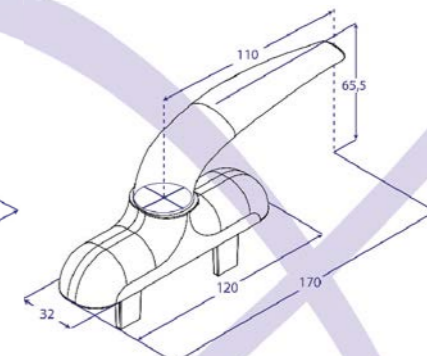
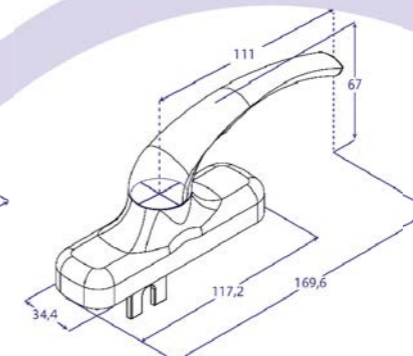
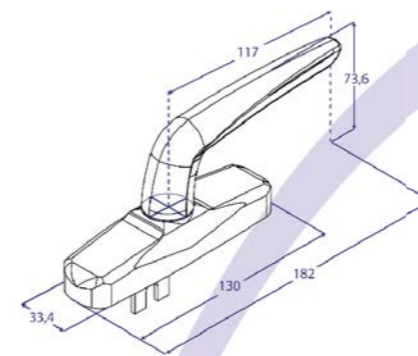
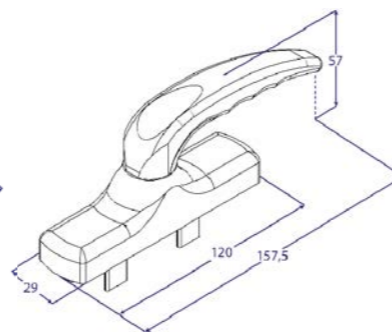
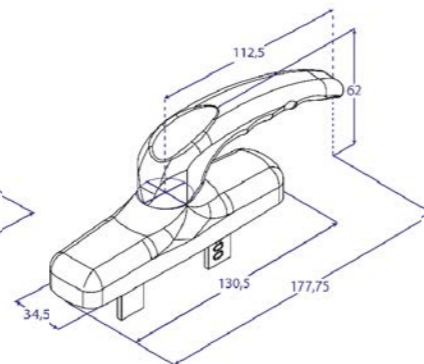
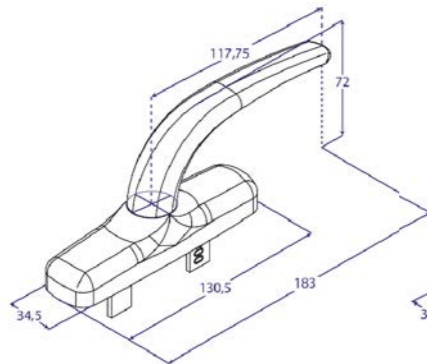


We also have the handle Ref. 295 with axle of 70mm (295/70) and 100mm (295/100)





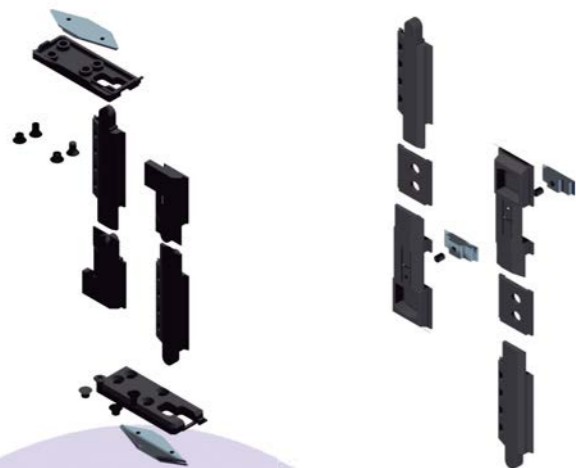
REFERENCE:	3283 (PRAGA)	3281 (MINERVA)	3287 (MARTE)	3290	3291	3292
SERIES:	Cremona	Cremona	Cremona	Cremona	Cremona	Cremona
ANCHORAGE:	Bolted Flanges	Bolted Flanges	2 Fixing screws	Bolted Flanges	Bolted Flanges	Bolted Flanges
MATERIAL:	Aluminum	Aluminum/Zamak	Zamak	Zamak	Aluminum/Zamak	Aluminum
SCREWS:	5x12 inox Allen	5x12 steel Allen	5x10 steel	5x10 steel	5x10 steel	5x10 steel
LENGTH:	183 mm	177,75 mm	157,5 mm	182 mm	169,6 mm	170 mm
WIDTH:	34,5 mm	34,5 mm	29 mm	33,4 mm	34,4 mm	120 mm
USE (specify on order)	Bottom hang/Tilt&Turn	Bottom hang/Tilt&Turn	Bottom hang	Bottom hang/Tilt&Turn	Bottom hang/Tilt&Turn	Bottom hang
BAGGED:	Individual	Individual	Individual	Individual	Individual	Individual
BOX DIMENSIONS:	360x150x150	360x150x150	360x150x150	360x150x150	360x150x150	360x150x150
WEIGHT/BOX:	3,5 Kg	4,5 Kg	11 Kg	3 Kg	3 Kg	3 Kg
QUANTITY/BOX:	10 un.	10 un.	25 un.	10 un.	10 un.	100 un.
QUANT. MAX. EUROPALLET:	840 un.	840 un.	2.100 un.	840 un.	840 un.	840 un.



KIT CREMONE 40X20

1ª Leaf Ref: 24801

2ª Leaf Ref: 24802



EUROPEAN CREMONE KIT

1st Leaf Ref: 24851

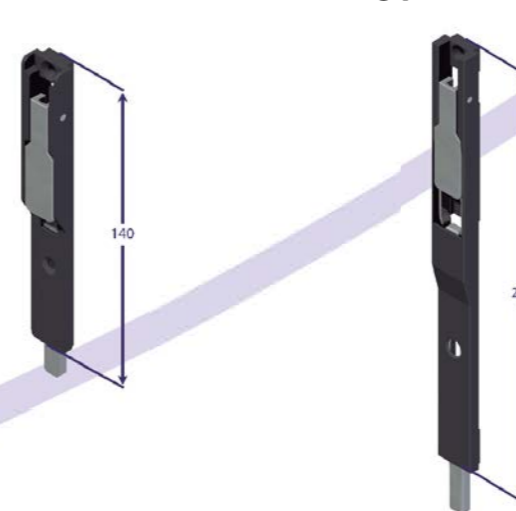
2nd Leaf Ref: 24852



ZAMAK PINS EUROPEAN 2nd LEAF 2ªEUROPEO

Short pin Ref: 24860

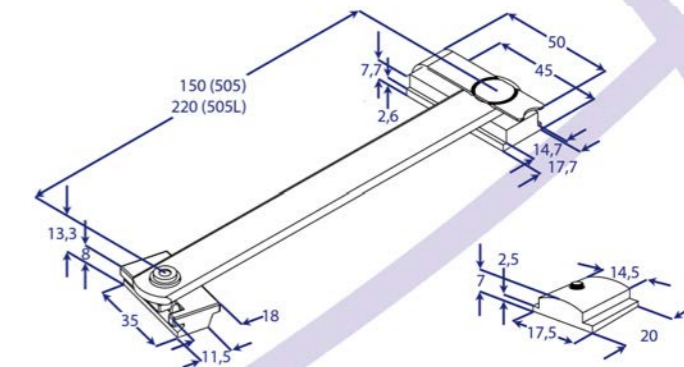
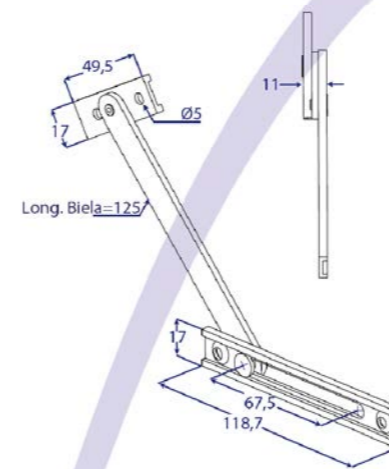
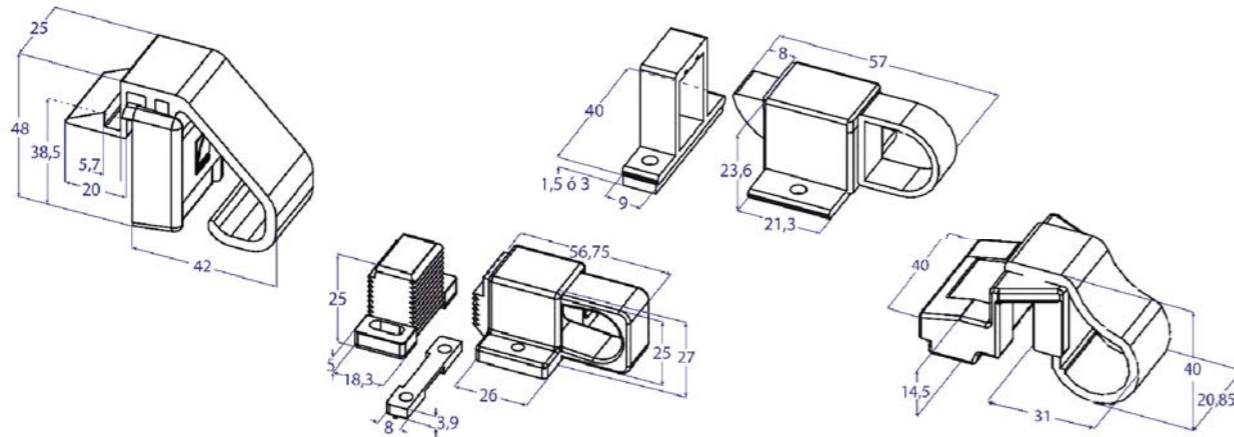
Long pin Ref: 24861



Range of catches/ compasses



REFERENCE:	500	501	502	504	503	505	505L
SERIES:	National and European	National and European	National and European	European	National	European	European
ANCHORAGE:	Screws	Screws	Screws	Fixing Studs	Screws	Fixing Studs	Fixing Studs
RODS LENGTH:	-	-	-	-	125 mm	150 mm	220
RODS WIDTH:	-	-	-	-	14 mm	-	-
MATERIAL:	Aluminum/Nylon	Nylon	Aluminum/Nylon	Zamak/Aluminum	Aluminum	Aluminum/Zamak	Aluminum/Zamak
SCREWS/STUDS:	5x12 steel Allen	-	-	5x10 steel	-	5x10 steel	5x10 steel
HEIGHT (visible):	42 mm	27 mm	23,6 mm	31 mm	-	-	-
WIDTH (visible):	34,5 mm	42 mm	40 mm	26 mm	-	-	-
BAGGED:	Individual	Individual	Individual	Individual	Individual	Individual	Individual
BOX DIMENSIONS :	260x260x210	260x260x210	260x260x210	260x260x210	260x260x210	260x260x210	260x260x210
WEIGHT/BOX:	5 Kg	2 Kg	4 Kg	12 Kg	7,5 Kg	7 Kg	8,5 Kg
QUANTITY/BOX:	100 un.	100 un.	100 un.	100 un.	200 un.	100 un.	50 un.
QUANT. MAX. EUROPALLET:	6.000 un.	6.000 un.	6.000 un.	6.000 un.	12.000 un.	6.000 un.	4.000 un.



Range of catches and compasses closures for tilting windows, both in national profiles and in European series.

We have finished in white lacquer (LB), black (LNM), silver (LPL), stainless (LINOX), gold (LOR), metallized (stainless and gold gloss) and anodized- silver (APL), bronze (ABR) and gold (AOR).

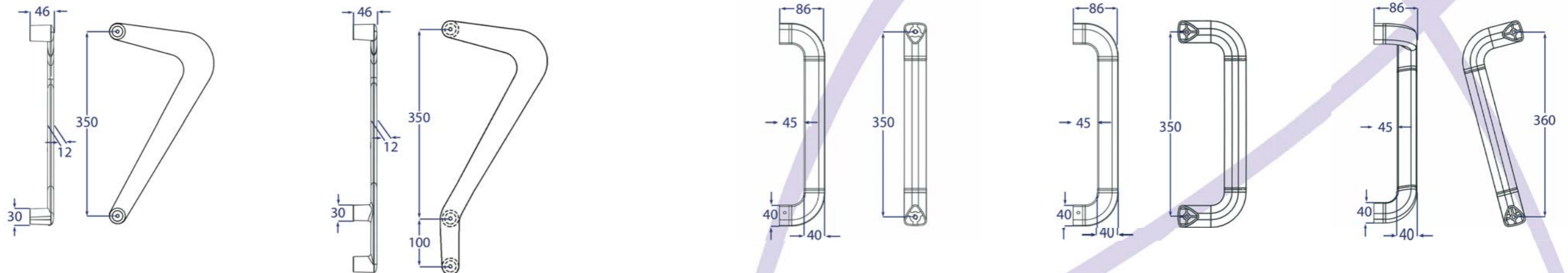


Pull handle range



REFERENCE:	DUO / DUO Rubber	DUO + / DUO + Rubber	HISPALIS STRAIGHT	HISPALIS BENT	HISPALIS JACOBEO
SERIES:	Whatever bottom hang	Whatever bottom hang	Whatever bottom hang	Whatever bottom hang	Whatever bottom hang
ANCHORAGE:	Screws	Screws	Screws	Screws	Screws
AXIS*:	M8X110	M8X110	M8X110	M8X110	M8X110
ACCESSORIES:	Washers, stoppers and spacers	Washers, stoppers and spacers	Washers, stoppers and spacers	Washers, stoppers and spacers	Washers, stoppers and spacers
MATERIAL:	Aluminum/Zamak/Rubber	Aluminum/Zamak/Rubber	Aluminum/Zamak	Aluminum/Zamak	Aluminum/Zamak
SCREWS:	8x80 steel Allen	8X80 steel Allen	8X80 steel Allen	8X80 steel Allen	8X80 steel Allen
DIST. BETWEEN AXIS:	350 mm	350-100 mm	350 mm	350 mm	360 mm
USE (specify on order):	54 mm	54 mm	54 mm	54 mm	54 mm
(specify on order):	Individual (I/D) or Set	Individual (I/D) or Set	Individual (I/D) or Set	Individual (I/D) or Set	Individual (I/D) or Set
BAGGED:	-	-	-	-	-
BOX DIMENSIONS:	420x220x60	515x220x60	410x174x80	410x174x80	410x174x80
WEIGHT/BOX:	2 Kg	2,5 Kg	2 Kg	3 Kg	2,5 Kg
QUANTITY/BOX:	2 un. / 1 set	2 un. / 1 set	2 un. / 1 set	2 un. / 1 set	2 un. / 1 set
QUANT. MAX. EUROPALLET:	200 un. / 100 sets	192 un. / 96 sets	840 un.	840 un.	840 un.

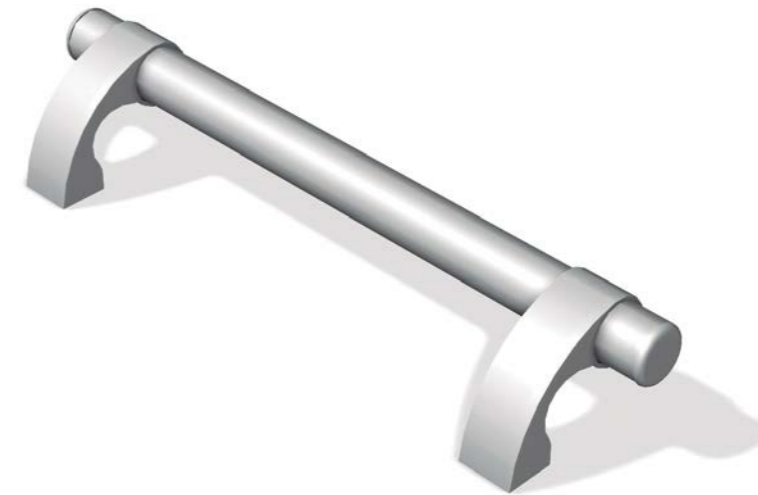
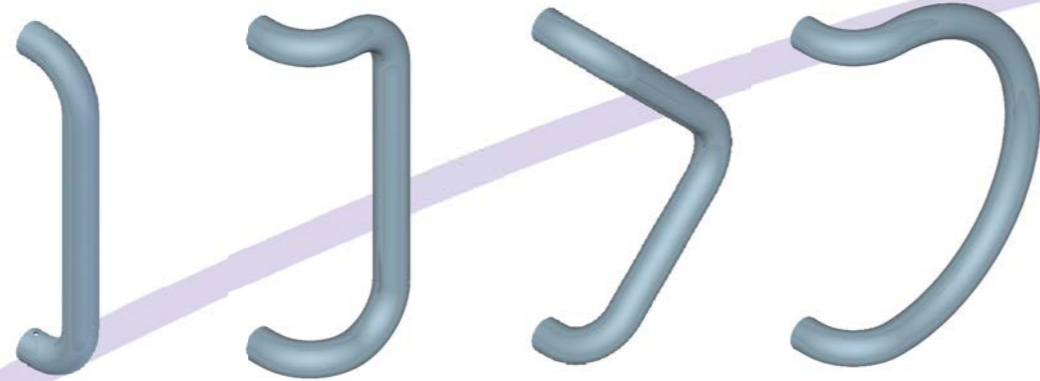
*THREADED AXLE FOR SETS



The range of Pull Handle Duo and Hispalis is the most extended of the catalog of Tecnac. The great aesthetic imposition that pull handles DUO are equipped and feature robustness of Hispalis are the perfect solution for your doors. Possibility of mounting them to the right, left or in set (indicate on request), including the box all the necessary hardware for a perfect assembly. We have finished in white lacquer (LB), black (LNM), silver (LPL), stainless (LINOX), gold (LOR).

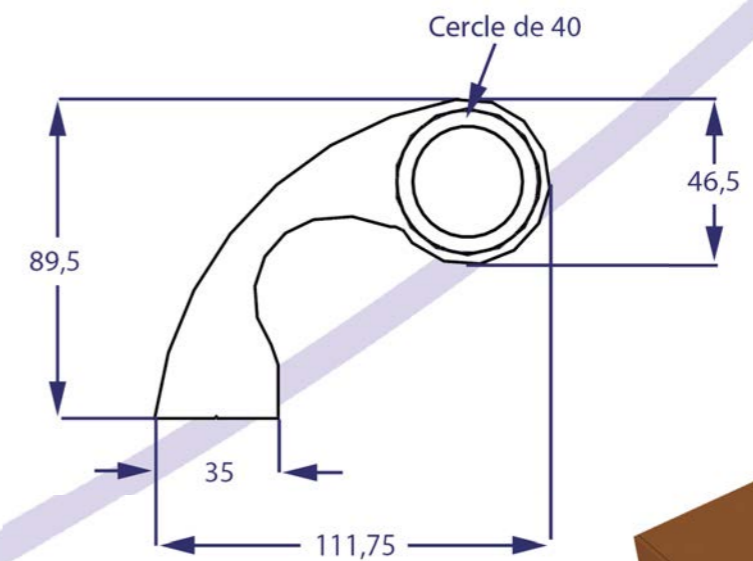
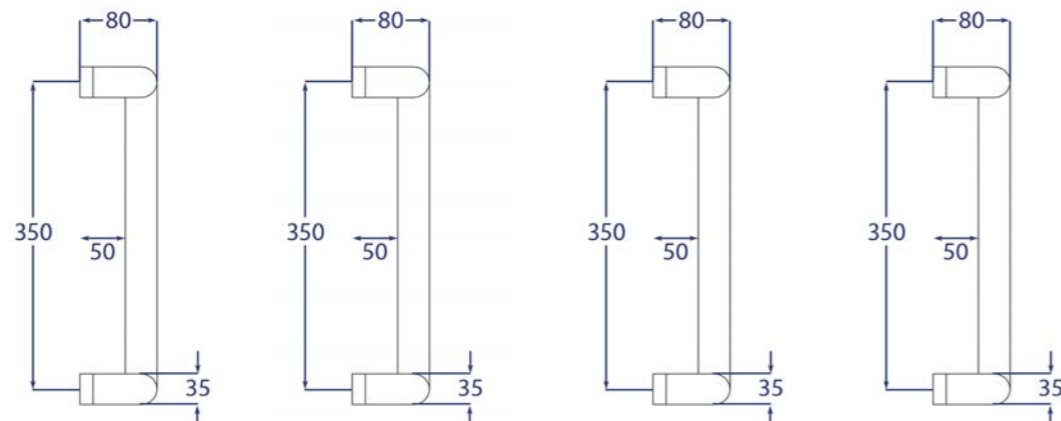


Pull handle range



REFERENCE:	STRAIGHT	BENT	ANGULAR	Curved	TRITÓN	:REFERENCE
SERIES:		Whatever folding			Tous à battant	:SERIES
ANCHORAGE:		Screws			Vis	:ANCHORAGE
AXLE*:		M8X110			Aluminium profile	:AXLE *
ACCESSORIES:		Washers, stoppers and spacers			Rondelles, bouchons et entretoises	:ACCESSORIES
MATERIAL:		Stainless steel			Acier Inoxydable	:MATERIAL
SCREWS:		8x80 steel Allen			8x80 inox Allen	:SCREWS
DIST. BETWEEN AXIS:		350 mm			Variable	:DIST. BETWEEN AXIS
MAX. CAMERA WIDTH		54 mm			54 mm	:MAX. CAMERA WIDTH
USE (specify on order):		Individual (I/D) or Set			Individuel (I/D) ou Jeu	: USE (specify on order)
BAGGED:		-				
BOX DIMENSIONS:		500x280x90				
WEIGHT/BOX:		2, 2,5, 2,5, 3				
QUANTITY/BOX:		2 un. / 1 set				
QUANT. MAX. EUROPALLET:		160 un. / 80 sets				

*THREADED AXLE FOR SETS



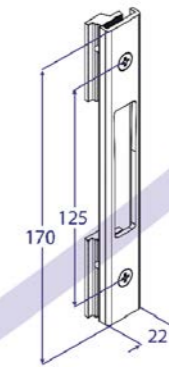
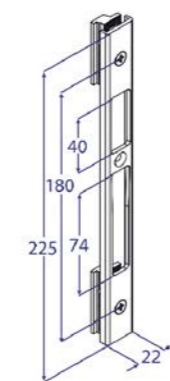
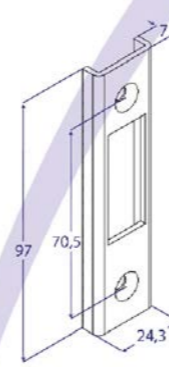
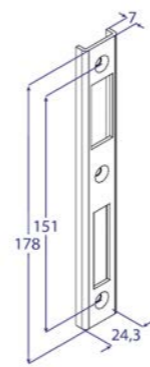
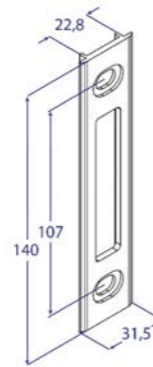
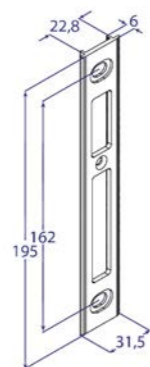
Pull handles of high range given its attractive design, variety of forms and to be manufactured in stainless steel.
 Choose your favorite among the four model consisting range. Possibility of mounting individually or in set (specify when ordering).
 All the necessary hardware for its assembly are included in the box.



Front plate suppl.



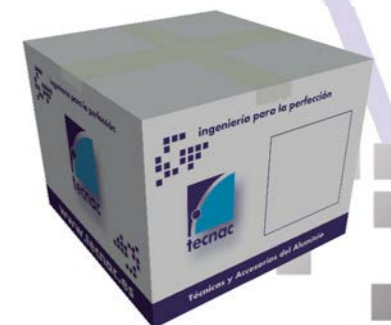
REFERENCE:	3006 REGULABLE	3005 REGULABLE	3015	3016	3017	3018	:REFERENCE
SERIES:	4000-6000-METALES-INASA	4000-6000-METALES-INASA	4000-6000-METALES-INASA	4000-6000-METALES-INASA	EUROPEAN	EUROPEAN	:SERIES
ANCHORAGE:	Screws (not included)	Screws (not included)	Screws (not included)	Screws (not included)	Flanges	Flanges	:ANCHORAGE
ACCESSORIES:	Washers	Washers	-	-	-	-	:ACCESSORIES
MATERIAL:	Extruded Aluminum	Extruded Aluminum	Extruded Aluminum	Extruded Aluminum	Extruded Aluminum	Extruded Aluminum	:MATERIAL
SCREWS:	-	-	-	-	M5x10	M5x10	:SCREWS
LENGTH:	195 mm	140 mm	178 mm	97 mm	225 mm	170 mm	:LENGTH
WIDTH:	31,5 mm	31,5 mm	24,3 mm	24,3 mm	22 mm	22 mm	:WIDTH
USE:	Latch and Lock	Latch	Latch and Lock	Latch	Individual (I/D) or Set	Individual (I/D) or Set	:USOE
BAGGED:	10 ud.	10 ud.	10 ud.	10 ud.	5 un.	5 un.	:BAGGED
BOX DIMENSIONS :	260x260x210	260x260x210	260x260x210	260x260x210	260x260x210	260x260x210	:BOX DIMENSIONS
WEIGHT/BOX:	9 Kg	9 Kg	10 Kg	11,5 Kg	11 Kg	10,5 Kg	:WEIGHT/BOX
QUANTITY/BOX:	200 un.	400 un.	400 un.	800 un.	150 un.	150 un.	:QUANTITY/BOX
QUANT. MAX. EUROPALLET:	12.000 un.	24.000 un.	24.000 un.	48.000 un.	9.000 un.	9.000 un.	:QUANT. MAX. EUROPALLET

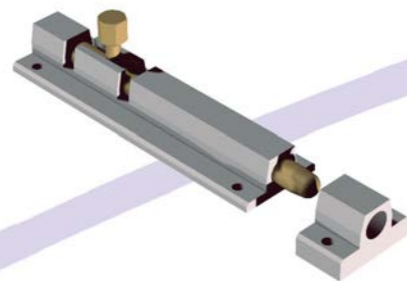


Range of front plate supplement available for bottom hang systems.
 We have models of fixed (3015 and 3016) and adjustable (3006 and 3005) for the conventional series 4000, 6000, Metales and Inasa and the anchoring by means of flanges (3017 and 3018) for the European series.
 We have finished in white lacquer (LB), black (LNM), silver (LPL), stainless (LINOX), gold (LOR) and anodized gold (AOR), silver (APL) and bronze (ABR).

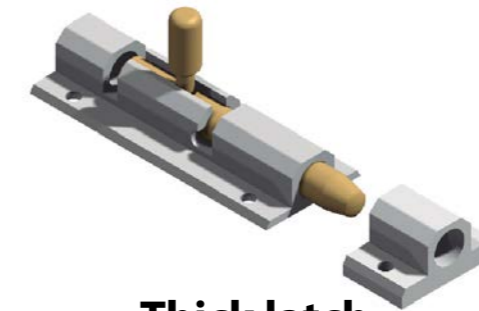


Escutcheon cylinder.
 Ref. 3000 all nylon.
 Ref. 3001 metallic escutcheon.



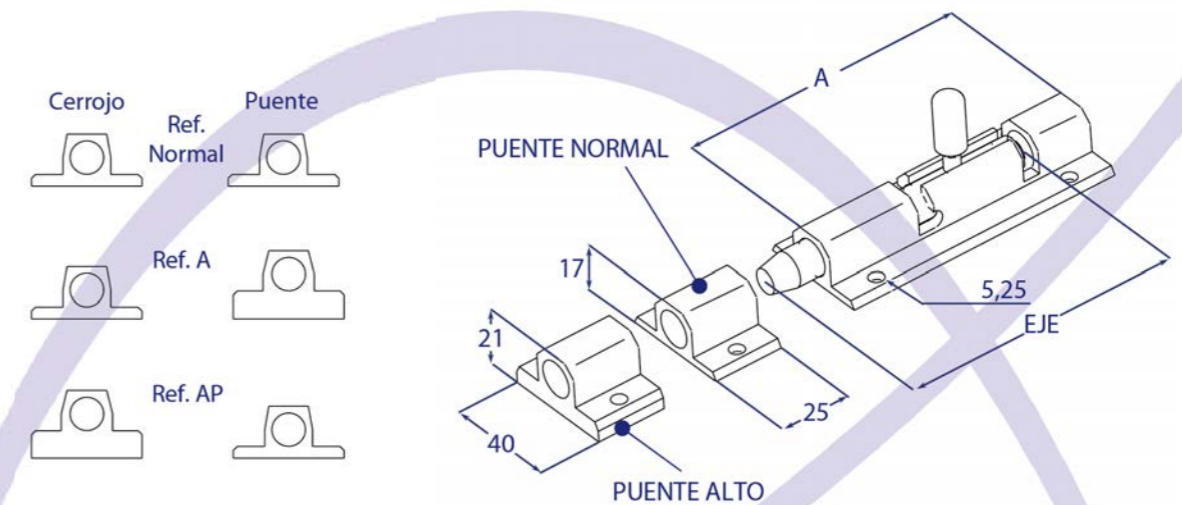
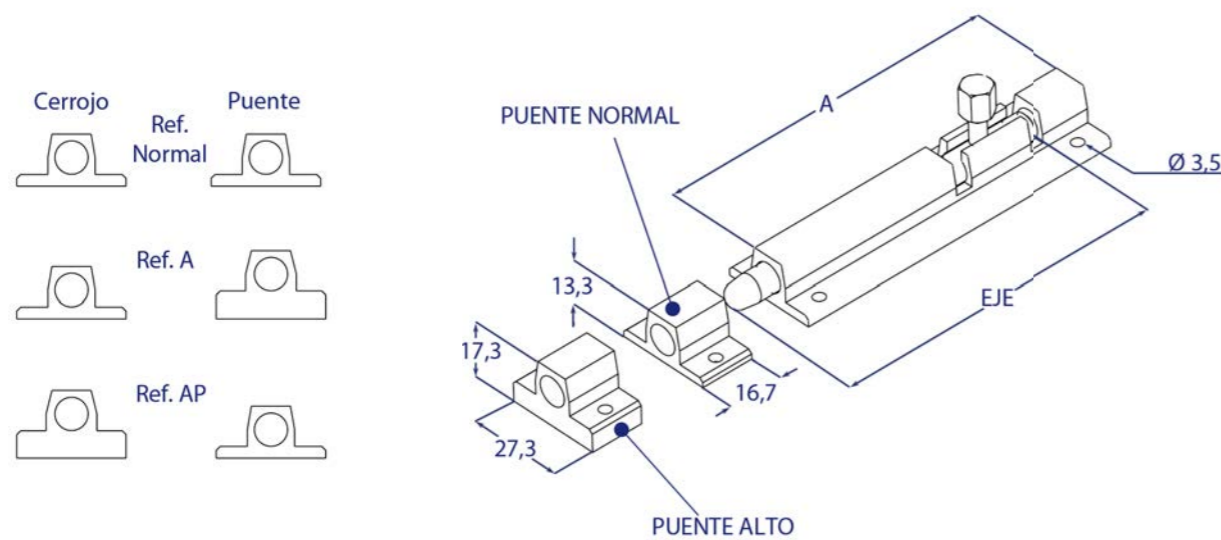


Narrow latch



Thick latch

LENGTH:	50mm	75mm	100mm	150mm	200mm	250mm	300mm	400mm	500mm	100mm	150mm	200mm	250mm	300mm	400mm	500mm	:LENGTH	
REFERENCE:	318	319	320	322	323	324	325	326	327	360	362	363	364	365	366	367	:REFERENCE	
AXIS:	47mm	72mm	97mm	147mm	197mm	247mm	297mm	397mm	497mm	97mm	147mm	197mm	247mm	297mm	397mm	497mm	:AXIS	
MATERIAL:	ALUMINUM EXTRUDED									ALUMINUM EXTRUDED							:MATERIAL	
BARRETTE:	IRON (by default) or Stainless Steel (on request)									IRON (default) or Stainless Steel (on request)							:BARRETTE	
BOX DIMENSIONS :	330x100x60					530x60x100					330x100x60			530x100x60				:BOX DIMENSIONS
WEIGHT/BOX:	1 Kg.	1,5 Kg.	0,8 Kg.	1,1 Kg.	1,5 Kg.	1,8 Kg.	2,2 Kg.	2,9 Kg.	3,5 Kg.	1 Kg.	1,4 Kg.	1,9 Kg.	2,3 Kg.	2,8 Kg.	3,7 Kg.	4,5 Kg.	:WEIGHT/BOX	
QUANTITY/BOX:	20 un.	20 un.	10 un.	10 un.	10 un.	10 un.	10 un.	10 un.	10 un.	10 un.	10 un.	5 un.	5 un.	5 un.	5 un.	5 un.	:QUANTITY/BOX	



Our range of latches is composed of two distinct groups: normal and thick.

As is well shown in the drawings above, there are various possible combinations between the latch and the bridge to keep in mind when ordering:

- If we want that they have the same height we will opt for the normal latch and low bridge.
- If we need the bridge to have a 4 mm supplement with respect to the latch, our option will be the normal latch with high bridge (Ref + A).
- If we need the latch to have a 4 mm supplement with respect to the bridge, we must order the high latch with low bridge (Ref + AP).

We have finished in white lacquer (LB), black (LNM), silver (LPL), stainless (LINOX), gold (LOR) and anodized gold (AOR), silver (APL) and bronze (ABR).





Sliding locks

Locks with screws 32.
clipped locks 33.

Tabs and opposite locks



Tabs 34.
Opposite locks 35.



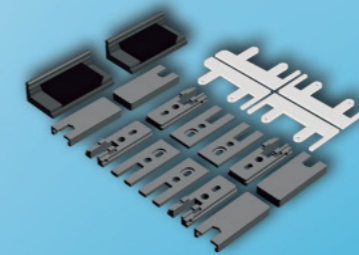
Multipoint

Stright cut 36.
Perimeter 37.



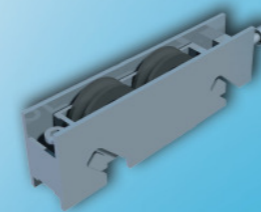
Handles

Simple handles 38.
Handles for locks 39.



Sliding kits

All range 40-41.



Corners

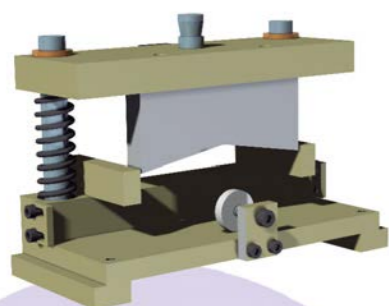
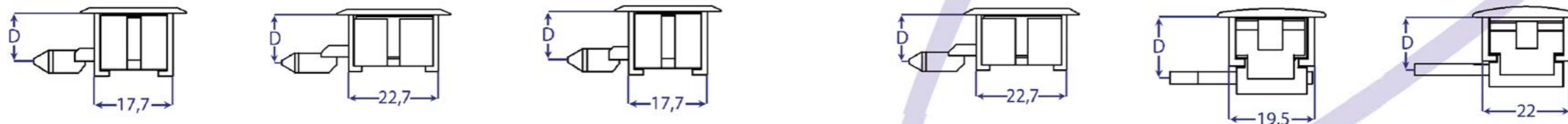
Fixed and adjustable 42-43.

Sliding Locks



REFERENCIA:	303-4R	305-6R	3033-4	3035-6	301-2	301-2G	:REFERENCE
BOXED:	150mm x 20mm	150mm x 25mm	128mm x 20mm	128mm x 25mm	148mm x 20mm	148mm x 22,5mm	BOXED:
ANCHORAGE:	Screws	Screws	Screwss	Screws	Clipped	Clipped	:ANCHORAGE
LENGTH:	175 mm	175 mm	175 mm	175 mm	168 mm	168 mm	:LENGTH
WIDTH:	23,8 mm	28,8 mm	23,8 mm	28,8 mm	24,5	26,8	:WIDTH
CONDEMN:	YES (on request)	YES (on request)	YES (on request)	YES (on request)	YES	YES	:CONDEMN
SCREWSS:	4,2x12 iron	4,2x12 iron	4,2x12 iron	4,2x12 iron	-	-	:SCREWS
STUD:	6x6 steel	6x6 steel	6x6 steel	6x6 steel	6x8 steel	6x8 steel	:STUD
TAB:	Zamak/Steel	Zamak/Steel	Zamak/Steel	Zamak/Steel	Steel/Zamak	Steel/Zamak	:TAB
SOUL IN MATRIX:	Unnecessary	Unnecessary	Unnecessary	Unnecessary	Necessary	Necessary	:SOUL IN MATRIX
USE:	Windows	Windows / Doors	Windows	Windows / Doors	Windows	Windows / Doors	:USE
BOX DIMENSIONS :	260x260x210	260x260x210	260x260x210	260x260x210	260x260x210	260x260x210	:BOX DIMENSIONS
WEIGHT/BOX:	5 Kg	6 Kg	4 Kg	5 Kg	5 Kg	6 Kg	:WEIGHT/BOX
QUANTITY/BOX:	100 un.	100 un.	100 un.	100 un.	100 un.	100 un.	:QUANTITY/BOX
QUANT. MAX. EUROPALLET	6.000 un.	6.000 un.	6.000 un.	6.000 un.	6.000 un.	6.000 un.	:QUANT. MAX. EUROPALLET

COMPATIBLE TABS* In parenthesis, tabs displacement(D)	1490 (12 mm) 1491 (14 mm) 1498D INOX (13 mm)	1492 (12 mm) 1493 (14 mm) 1499D INOX (13 mm) 1492L (12 mm)	1490 (12 mm) 1491 (14 mm) 1498D INOX (13 mm)	1492 (12 mm) 1493 (14 mm) 1499D INOX (13 mm) 1492L (12 mm)	1498INOX (14 mm) 1498 (13 mm) 1498D INOX (17 mm) 1498D (15 mm) 1495 (perimeter)	1499INOX (14 mm) 1499 (13 mm) 1499D INOX (17 mm) 1499D (15 mm) 1495 (perimeter)	: COMPATIBLE TABS* In parenthesis, tabs displacement(D)
*Detailed Tabs on Page 34.							*Detailed Tabs on Page 34.



We can help you manage the moldings of draft necessary in the full range of locks that have, for any series.



Ref: **3070** (Same keys)
Ref: **3071** (Different keys)

We have central locking with key





303-4R / 3033-4



305/6R / 3035-6

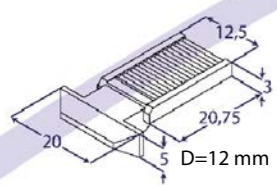


301-2

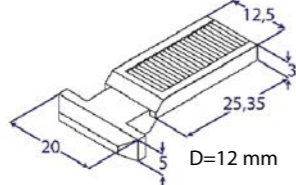


301-2G

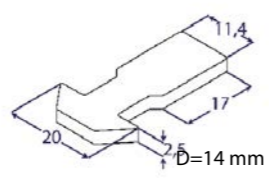
1490 ZAMAK



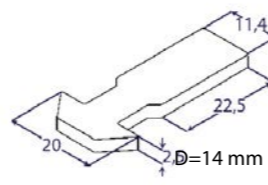
1492 ZAMAK



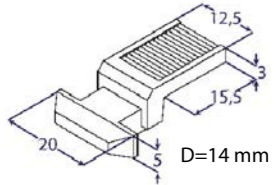
1498 STEEL



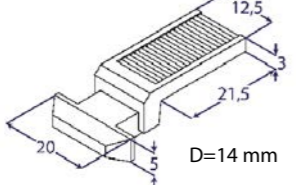
1499 STEEL



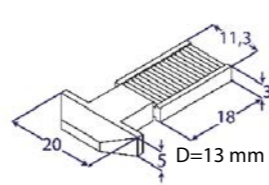
1491 ZAMAK



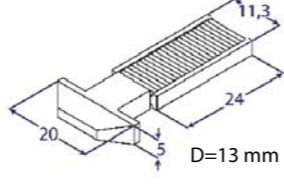
1493 ZAMAK



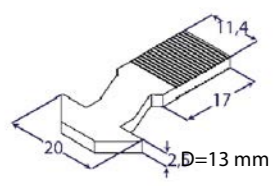
1498 ZAMAK



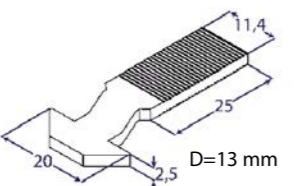
1499 ZAMAK



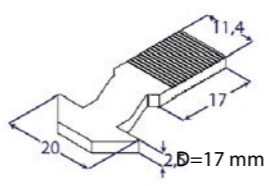
1498D STEEL



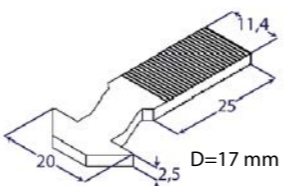
1499D STEEL



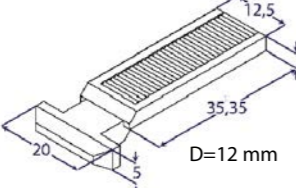
1498D STEEL



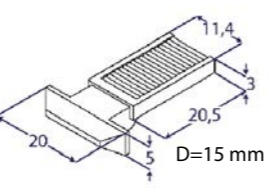
1499D STEEL



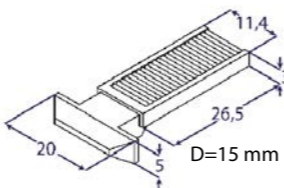
1492L ZAMAK



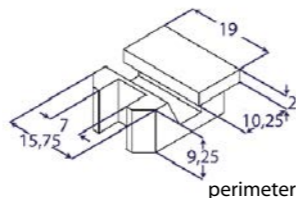
1498D ZAMAK



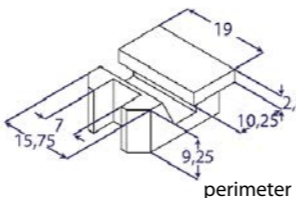
1499D ZAMAK



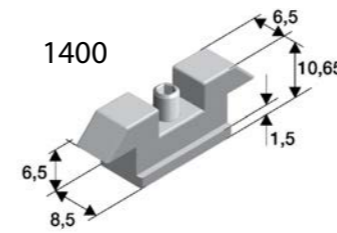
1495 ZAMAK



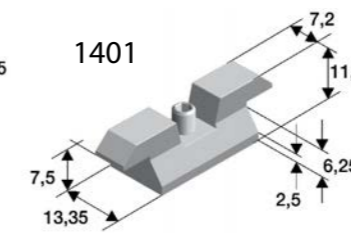
1495 ZAMAK



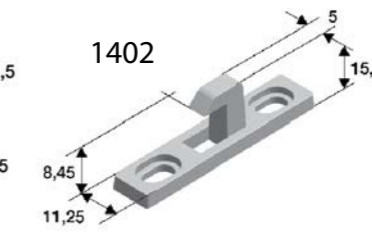
D is the displacement achieved with the tab relative to the lock.
Depending on the width of the side sheet camera, we will need one tab or another.



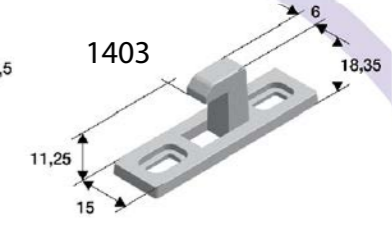
1400
AL-21, 640, BL, 6200 CORTIZO, ELITE WINDOW, TRIANA, P60, P65, G98, MARBELLA, C95, CW60



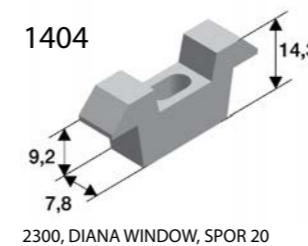
1401
P-92, AL-24, ELITE DOOR, ELITE JUNIOR, AL14, P70



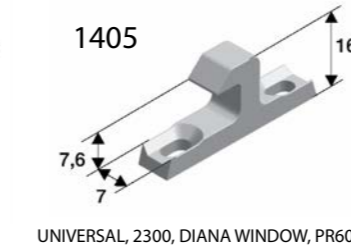
1402
STANDARD 8mm, DIANA DOOR, 72, 7180



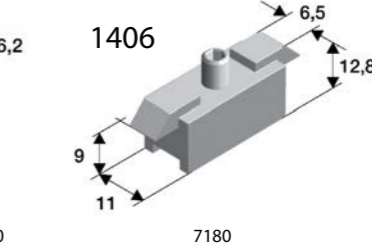
1403
STANDARD 11mm, 300, 600, 800, MARINA, AL14



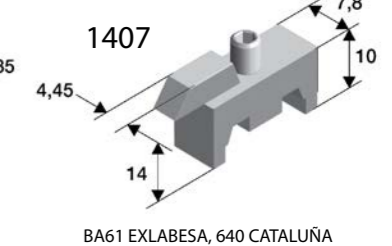
1404
2300, DIANA WINDOW, SPOR 20



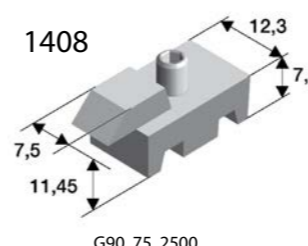
1405
UNIVERSAL, 2300, DIANA WINDOW, PR60



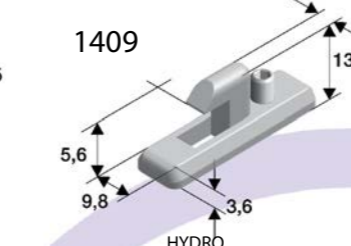
1406
7180



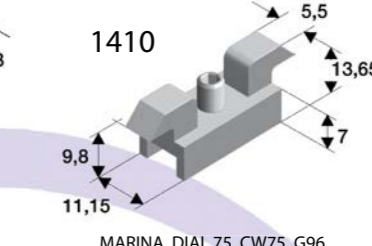
1407
BA61 EXLABESA, 640 CATALUÑA



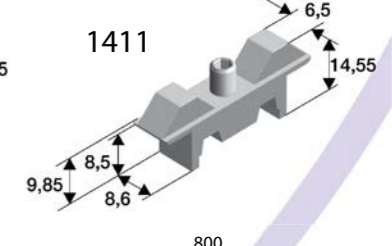
1408
G90, 75, 2500



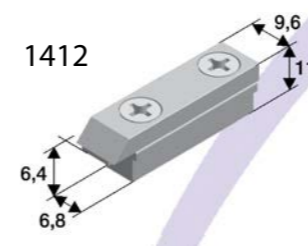
1409
HYDRO



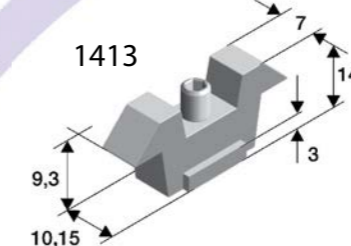
1410
MARINA, DIAL 75, CW75, G96



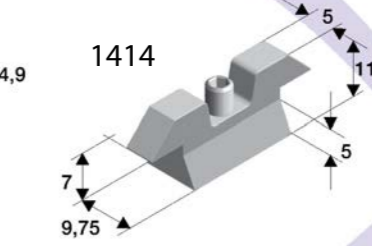
1411
800



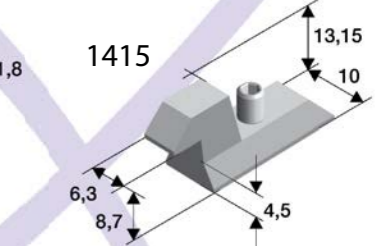
1412
CW60, CW70, AL15



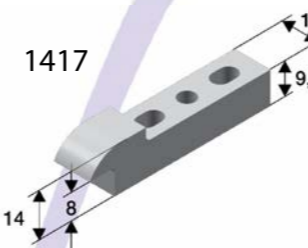
1413
LG, GIRALDA



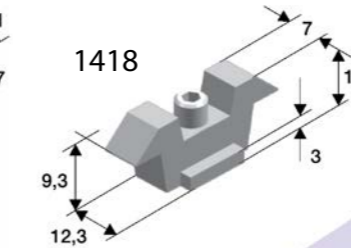
1414
500 ELITE, 2300 GUIDED



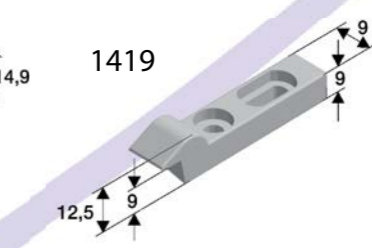
1415
700



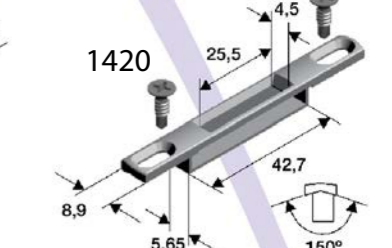
1417
DIANA DOOR



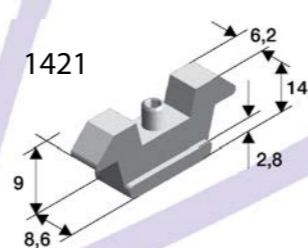
1418
CM94



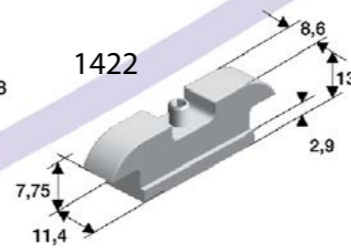
1419
SUPERIMPOSE PERIMETER



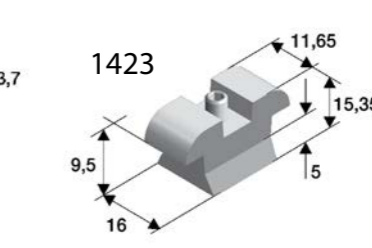
1420
INLAID PERIMETER 150°



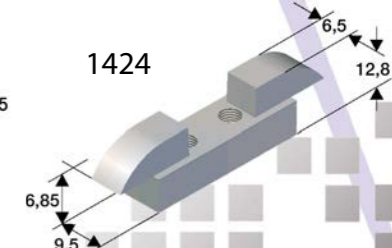
1421
DIANA WINDOW GUIDED



1422
DIANA DOOR GUIDED



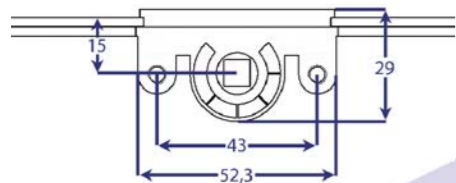
1423
800 CAP



1424
9200

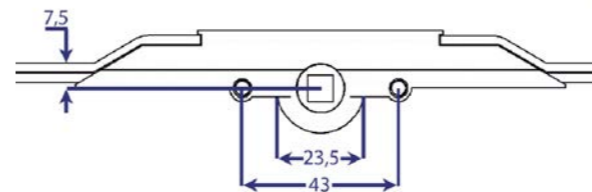


MP15



Sistemas Multipunto

MP75



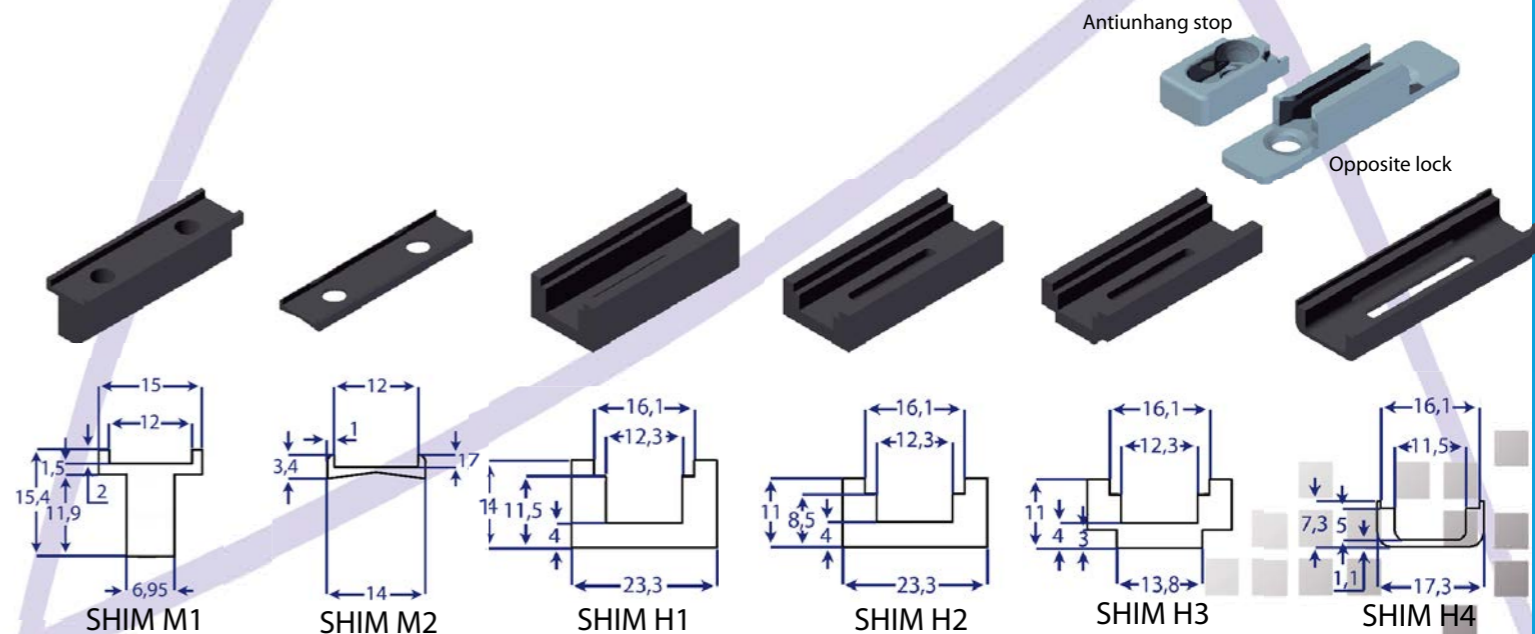
REFERENCE:	MP15	MP75	:REFERENCE
SERIES:	Straight cut series	Perimeter series	:SERIES
LENGTHS (mm):	200-600-1.000-1.600-1.800	200-600-1.000-1.600-1.800	:LENGTHS (mm)
CLOSING POINTS:	1-2-2-3-3	1-2-2-3-3	:CLOSING POINTS
ANTIUNHANG SISTEM:	Yes	Yes	:ANTIUNHANG SISTEM
ASSEMBLY:	Shims and through screws	Shims and through screws	:ASSEMBLY
MATERIAL:	Steel and Zamak	Steel and Zamak	:MATERIAL
HANDLE:	Cremona/Clasp with square	Cremona/Clasp with square	:HANDLE
USE:	Windows/Doors	Windows/Doors	:USE

System for windows and doors intended for series of straight cuts with camera. Perfect for providing greater security to the assembly with our models of two and three points of closing. Ideal when you want to mount a window or sliding door with handle, with our one-point model.

System for windows and doors for perimeter series. Perfect for providing greater security to the assembly with our models of two and three points of closing. Ideal when you want to mount a window or sliding door with handle with our one-point model.

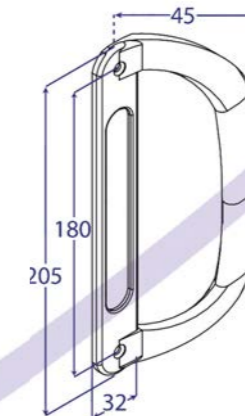
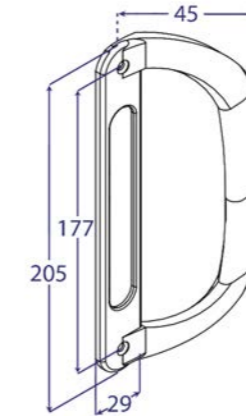
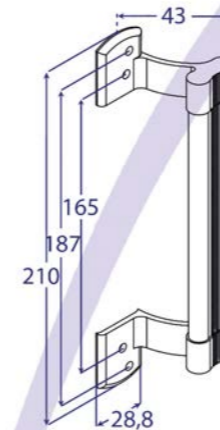
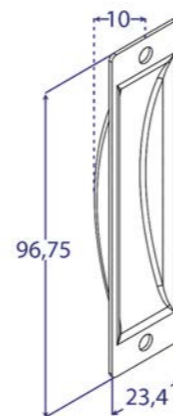
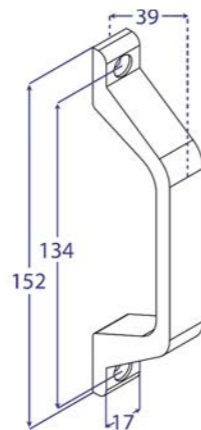
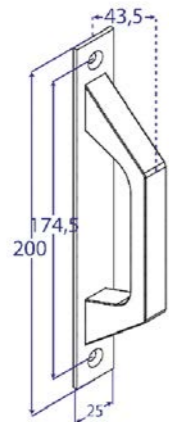
The multipoint handle is mounted on the mechanism with two screws -M5x25. It allows the assembly of double handle in case you want to mount one inside and another outside. The opposite lock will be housed on one of the two frame blocks, the M1 block being the most common for straight-cut series with camera and M2 for perimeter systems.

The sheet shims on which the mechanism will be mounted, will serve to apply the displacement necessary for each profile. The H1, H2 and H3 shims would be perfect for the perimeter series, H1 for large series, H2 for normal without break and H3 for normal perimeter series with Break of Thermal Bridge. H4 is recommended for conventional straight-cut series because of its smaller displacement. The dimensions must be consulted for a correct choice of shims.

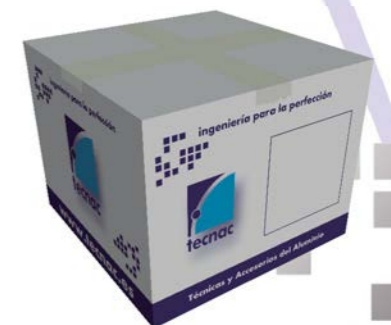




REFERENCE:	450	452	205	451	454	454G	:REFERENCE
SERIES:	All	All	All	All	All	All	:SERIES
ANCHORAGE:	Screws	Screws	Screws	Screws	Screws	Screws	:ANCHORAGE
MATERIAL:	Extruded aluminum	Extruded aluminum	Aluminum plate	Zamak/Extruded aluminum	Injected aluminum	Injected aluminum	:MATERIAL
SCREWS:	not included	not included	not included	not included	not included	not included	:SCREWS
LENGTH:	200 mm	152 mm	96,75 mm	210 mm	205 mm	205 mm	:LENGTH
WIDTH:	25 mm	17 mm	23,4 mm	28,8 mm	29 mm	32 mm	:WIDTH
HIGH:	43,5 mm	39 mm	10 mm	43 mm	45 mm	45 mm	:HIGH
DIST. BETWEEN SCREWS:	174,5 mm	134 mm	180 mm	187 mm	177 mm	180 mm	:DIST. BETWEEN SCREWS
USE (Specify on order):	Individual	Individual	Individual	Use with Locks 303-4R/305-6R	Use with Locks 301-2	Use with Locks 301-2G	:USE (Specify on order)
BAGGED:	Individual	Individual	100 ud.	Individual	Individual	Individual	:BAGGED
BOX DIMENSIONS :	260x260x215	260x260x215	320x285x215	260x260x215	260x260x215	260x260x215	:BOX DIMENSIONS
WEIGHT/BOX:	7 Kg	8 Kg	5 Kg	10 Kg	12 Kg	12 Kg	:WEIGHT/BOX
QUANTITY/BOX:	50 un.	100 un.	500un.	50 un.	50 un.	50 un.	:QUANTITY/BOX
QUANT. MAX. EUROPALLET:	3.000 un.	6.000 un.	3.000 un.	3.000 un.	3.000 un.	3.000 un.	:QUANT. MAX. EUROPALLET

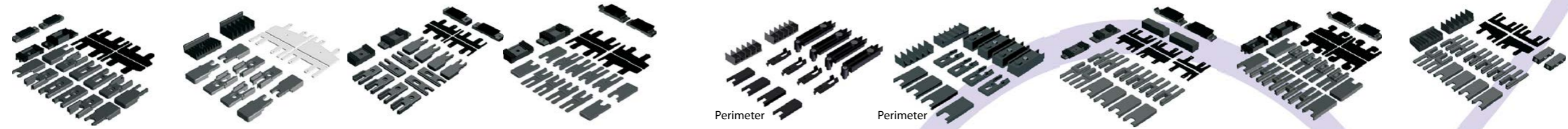


Range of handles of different designs and uses. We have models for individual assembly and others in conjunction with side closure. Choose your preferred model from among the five available. We also have the conjoin of cradle which is ideal for crossing leaves.





SERIES:	AL-21/640	BA-61	2300/ 2300N	TRIANA-1/TRIANA-2	GIRALDA/LG	P60/P-65	MARINA70 Straight/Tirada	MARINA75 Straight/Tirada
REFERENCE:	1300/1313	1301	1302/1315	1303-1/1303-2	1304/1306	1307/1314	1311-1/1311-2	1311-3/1311-4
REF. WITH WHEELS:	1000/1013	1001	1002/1015	1003-1/1003-2	1004/1006	1007-1014	1011-1/1011-3	1011-3/1011-4
ASSEMBLY:	Overlay or Guided (G)	Overlay	Guided	Overlay	Overlay	Overlay	Overlay	Overlay
JOINTS:	Si	Si	Si	Si	Yes	Yes	Yes	Yes
TAPETAS:	4	4	4	4	4	4	4	4
PRESILLAS:	8	8	8	8	8	8	8	8
CORTAVIENTOS:	Rubber / Mat (FP)	Rubber / Mat (FP)	Rubber	Mat	Mat	Rubber / Mat (FP)	Rubber / Mat (FP)	Rubber / Mat (FP)
ACCESSORIES:	-	-	-	4 stops, 8 gums(Triana-2)	-	-	-	-
BOX DIMENSIONS :	340x230x445	340x230x445	340x230x445	340x230x445	340x230x445	340x230x445	340x230x445	340x230x445
WEIGHT/BOX:	4,5 Kg	4,5 Kg	4,5 Kg	5 Kg	5 Kg	4,5 Kg	5 Kg	5 Kg
QUANTITY/BOX:	75 un.	75 un.	75 un.	125 un.	50 un.	75 un.	50 un.	50 un.
QUANT. MAX. EUROPALLET:	1.500 un.	1.500 un.	1.500 un.	2.500 un.	1.000 un.	1.500 un.	1.000 un.	1.000 un.



SERIES:	7180	G-90	P-70	P-92	AI-15	AL-18	ALCAR 9060	800	9200 / 6200
REFERENCE:	1312	1321	1326	1308	1338	1335	1322	1324	1325 / 1323
REF. WITH WHEELS:	1012	1021	1026	1008	1038	1035	1022	1024	1025 / 1023
ASSEMBLY:	Overlay	Overlay	Overlay	Overlay or Guided (G)	Overlay	Overlay	Guided	Guided	Guided / Overlay
JOINTS:	Yes	Yes	Yes	Yes	No	No	Yes	Yes	Yes/Yes
TAPETAS:	4	4	4	4	4	4	4	4	4 / 4
CLIPS:	8	4	8	8	4	4	8	8	8 / 8
CORTAVIENTOS:	Rubber / Mat (FP)	Rubber	Rubber / Mat (FP)	Rubber / Mat (FP)	Rubber	Rubber / Mat (FP)	Rubber / Mat (FP)	Rubber / Mat (FP)	Rubber
ACCESSORIES:	-	-	-	-	4 Stops	4 Stops	2 absorption stops	-	2 Viert. / -
BOX DIMENSIONS :	340x230x445	340x230x445	340x230x445	340x230x445	340x230x445	340x230x445	340x230x445	340x230x445	340x230x445
WEIGHT/BOX:	5 Kg	4,5 Kg	5 Kg	5 Kg	4,5 Kg	4,5 Kg	5 Kg	5 Kg	4,5 Kg
QUANTITY/BOX:	50 un.	75 un.	50 un.	50 un.	75 un.	75 un.	50 un.	50 un.	75 un.
QUANT. MAX. EUROPALLET:	1.000 un.	1.500 un.	1.000 un.	1.000 un.	1.500 un.	1.500 un.	1.500 un.	1.500 un.	1.500 un.

Our kits catalog is designed to cover most of the current series.

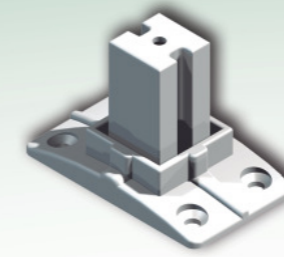
We have them for mounting by guided and / or overlapping clips. In the case of the kit we have in both versions, by default the overlay will be served. Therefore, if you want it guided, it will be specified in the order by means of a "G".

The kits can be served together with the four wheels of the corresponding series. (See pages 42-43)

We have different complements that can be added to the kits to satisfy the needs of the assembler, always indicating it in the order. (See page 57)

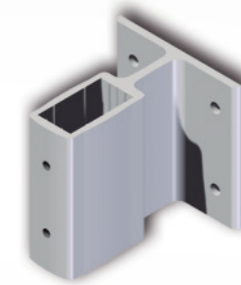


AL-21 / BA61 / 640		2300		TRIANA / BL		P-60 / P-65		GIRALDA / LG		P-92 / ELITE DOOR		MARINA / 7180	
1200/1201/1213 		1202 		1203/1205 		1207/1214 		1204/1206 		1208 		1211/1212 	
1100/1113 		1101H 		1107/1114 		1107T/1114T 		1104/1105 		1104T/1105T 		1110H/1112H 	
						novedad				novedad			
ALUGOM 400		G-90		9200		AL-15 (straight cut)		800		AL-15 (perimeter)		AL-18 (perimeter)	
1220-2 		1221 		1225 		1238 		1224 		1137 		1135 	
1120-2 						novedad		1106 		novedad		1135T 	



Base supports

30x30 y 40x40 - 46.
40x20 - 47.



Side Supports

40x20 y 30x30 - 48.
Supports main courante - 48-49.



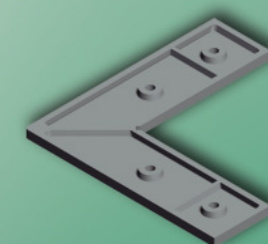
Crystal supports

Crystal supports - 49.



Terminals

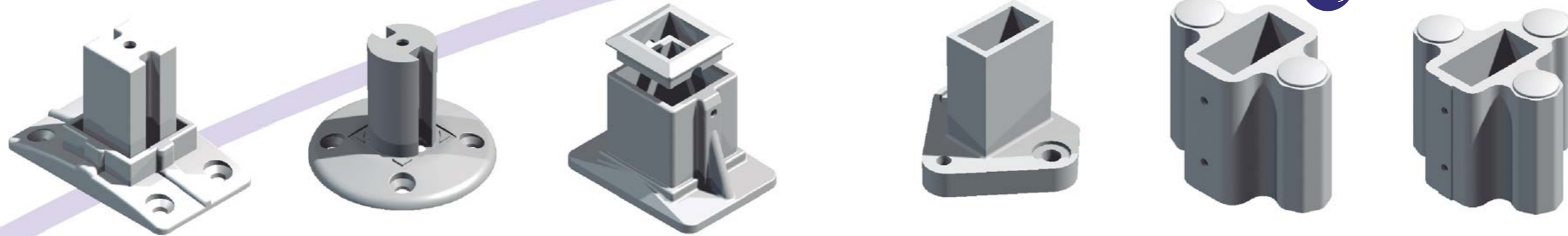
Normal - 50.
Round - 50-51.



Corners

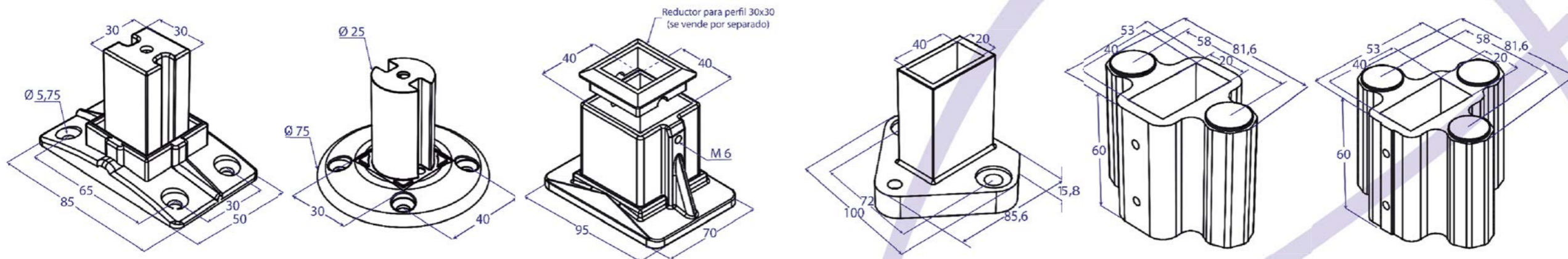
Fixes and Adjustables - 51.

Banister Bases



REFERENCE:	508	508R	509	5087/ 5087R	5088	5089	:REFERENCE
PROFIL:	30X30	30x30 (Round and square)	40x40 y 30x30*	40x20	40x20	40x20	:PROFILE
ANCHORAGE:	4 Screws	4 Screws	1 Screw	2 Screws	2 Screws	3 Screws	:ANCHORAGE
MATERIAL:	Zamak	Zamak	Zamak	Injected Aluminum	Aluminum Extruded	Aluminum Extruded	:MATERIAL
STUDS:	-	-	6x10 DIN 916	6x6 DIN 916	6x6 DIN 916	6x6 DIN 916	:STUDS
LENGTH:	85 mm	Ø75 mm	95 mm	85,6 mm	53 mm	73,5 mm	:LENGTH
WIDTH:	50 mm	Ø75 mm	70 mm	100 mm	81,6 mm	81,6 mm	:WIDTH
HIGH:	60 mm	43 mm	66 mm	81,3 mm	60 mm	60 mm	:HIGH
DIST. BETWEEN SCREWS:	65 mm	40 mm	-	72 mm	58 mm	58 mm	:DIST. BETWEEN SCREWS
OTHERS:	-	-	Optional reducer	Tilt regulator (optional)	Plugs included	Plugs included	:OTHERS
BAGGED:	Individual	Individual	Individual	Individual	Individual	Individual	:BAGGED
BOX DIMENSIONS :	320x285x240	320x285x240	260x260x210	260x260x210	320x285x240	320x285x240	:BOX DIMENSIONS
WEIGHT/BOX:	10 Kg	12 Kg	15 Kg	15 Kg	15 Kg	18 Kg	:WEIGHT/BOX
QUANTITY/BOX:	100 un.	100 un.	25 un.	25 un.	50 un.	50 un.	:QUANTITY/BOX
QUANT. MAX. EUROPALLET:	4.000 un.	4.000 un.	1.250 un.	1.250 un.	2.000 un.	2.000 un.	:QUANT. MAX. EUROPALLET

*With reducer



Range of banister base for the most commonly used standard profiles:

-**Square 30x30**: Ref. 508, 508R and 509 with reducer (the reducer must be indicated on order)

-**Square 40x40**: Ref. 509.

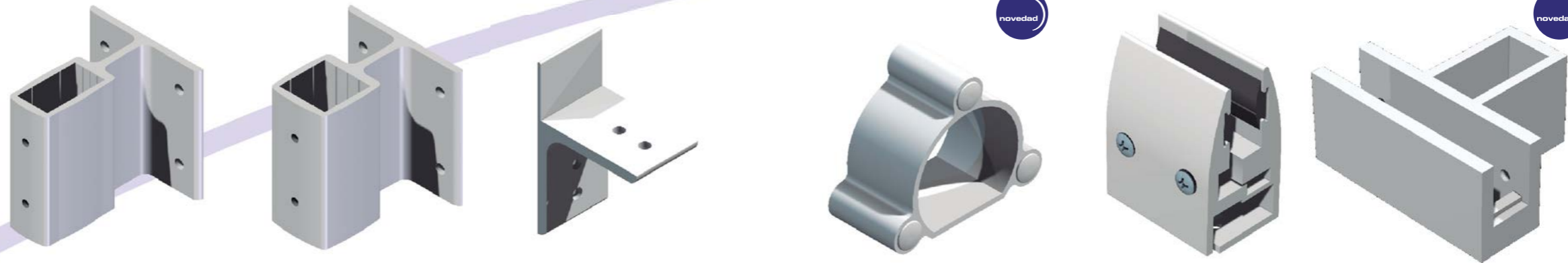
-**Round of 30**: Ref. 508R

-**Rectangular 40x20**: Ref. 5087, 5087R (5087 with tilt regulator), 5088 and 5089.

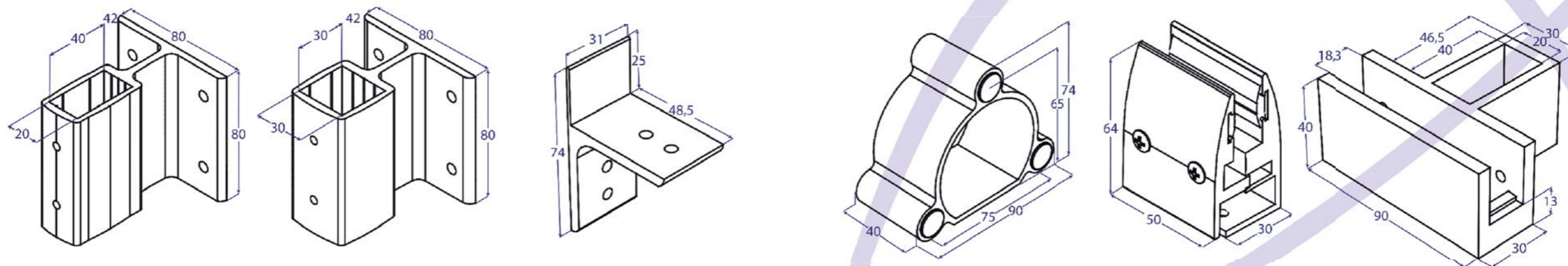
We have finished in white lacquer (LB), black (LNM), silver (LPL), stainless (LINOX), gold (LOR) and metalized (stainless and gold gloss).



Side Supports



REFERENCE:	5081	5082	5091	5092	511	5120	:REFERENCE
PROFILE:	40X20	30x30	40x20	Pasamano	-	40x20	:PROFILE
ANCHORAGE:	4 Screws	4 Screws	Screws or Rivets	3 Screws	Screws or Rivets	2 Studs	:ANCHORAGE
MATERIAL:	Extruded Aluminum	Extruded Aluminum	Extruded Aluminum	Extruded Aluminum	Extruded Aluminum	Extruded Aluminum	:MATERIAL
STUDS:	5x8 DIN 916	5x8 DIN 916	-	-	-	6x6 DIN 916	:STUDS
LENGTH:	89 mm	79 mm	48,5 mm	40 mm	30 mm	76,5 mm	:LENGTH
WIDTH:	80 mm	80 mm	31 mm	90 mm	50 mm	90 mm	:WIDTH
HIGH:	80 mm	80 mm	74 mm	74 mm	64 mm	40 mm	:HIGH
DIST. BETWEEN SCREWS:	52 mm	52 mm	13 mm	75 mm	40 mm	25 mm	:DIST. BETWEEN SCREWS
OTHERS:	-	-	-	Plugs Included	Glass until 10 mm	-	:OTHERS
BAGGED:	Individual	Individual	Individual	Individual	Individual	Individual	:BAGGED
BOX DIMENSIONS :	320x285x240	320x285x240	260x260x210	320x285x240	320x285x240	320x285x240	:BOX DIMENSIONS
WEIGHT/BOX:	10 Kg	10 Kg	10 Kg	8 Kg	18 Kg	12 Kg	:WEIGHT/BOX
QUANTITY/BOX:	50 un.	50 un.	100 un.	50 un.	50 un.	50 un.	:QUANTITY/BOX
QUANT. MAX. EUROPALLET:	2.000 un.	2.000 un.	6.000 un.	2.000 un.	2.000 un.	2.000 un.	:QUANT. MAX. EUROPALLET



See our range of side supports, handrail and glass to complete your banister:

-**Said supports:** 5081 (40x20) and 5082 (30x30)

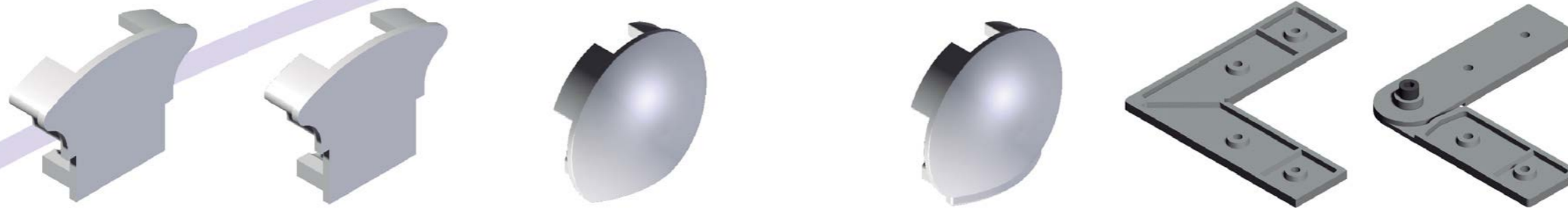
-**Handrail supports:** 5091 and 5092.

-**Crystal supports:** 511 and 5120

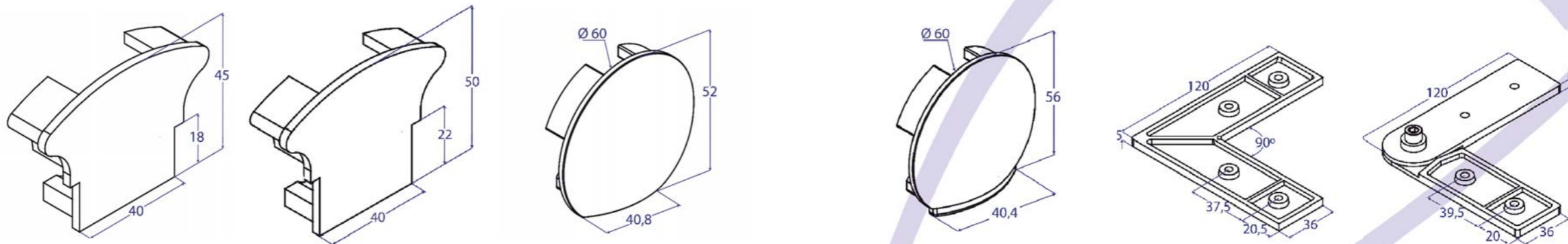
We have finished in white lacquer (LB), black (LNM), silver (LPL), stainless (LINOX), gold (LOR) and metalized (stainless and gold gloss).



Handrails plugs - Banister Corners



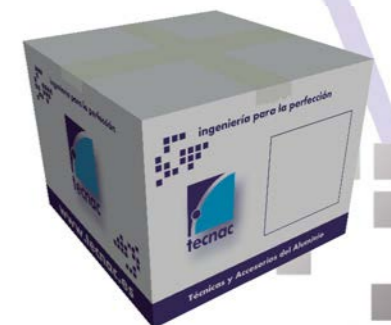
REFERENCE:	514	515	514R	515R	506	507	:REFERENCE
PROFILE:	U20	U24	Round U20	Round U24	-	-	:PROFILE
ANCHORAGE:	1 Screws	1 Screws	1 Screws	1 Screws	4 Screws or Rivets	4 Screws or Rivets	:ANCHORAGE
MATERIAL:	Zamak	Zamak	Zamak	Zamak	Zamak	Zamak	:MATERIAL
LENGTH:	-	-	-	-	120 mm	120 mm	:LENGTH
WIDTH:	69,4 mm	69,4 mm	59,7 mm	59,7 mm	36 mm	36 mm	:WIDTH
HIGH:	45 mm	50 mm	52 mm	56 mm	5 mm	5 mm	:HIGH
DIST. BETWEEN SCREWS:	-	-	-	-	37,5 mm	39,5 mm	:DIST. BETWEEN SCREWS
BAGGED:	Pairs	Pairs	Pairs	Pairs	-	-	:BAGGED
BOX DIMENSIONS :	260x260x210	260x260x210	260x260x210	260x260x210	260x260x210	260x260x210	:BOX DIMENSIONS
WEIGHT/BOX:	12 Kg	13 Kg	12 Kg	13 Kg	18 Kg	18 Kg	:WEIGHT/BOX
QUANTITY/BOX:	100 un.	100 un.	100 un.	100 un.	100 un.	100 un.	:QUANTITY/BOX
QUANT. MAX. EUROPALLET:	6.000 un.	6.000 un.	6.000 un.	6.000 un.	4.000 un.	4.000.	:QUANT. MAX. EUROPALLET

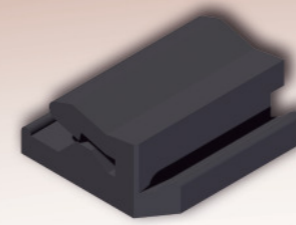


Complete the mounting of your banister with our handrails plugs and fixing corners:

-**Handrails plugs:** 514, 515, 514R and 515R.

-**Fixing corners:** 506 (fixed) and 507 (adjustable).





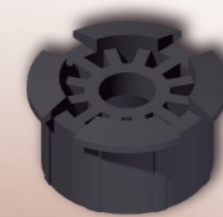
Accessories

Majorean supports - 54.
Tonquil staples - 54 - 55.
Aliasing top - 54.
Corners joint - 54 - 55.



Fixing anchor and Grille

Fixing anchors - 56.
Grilles - 56.



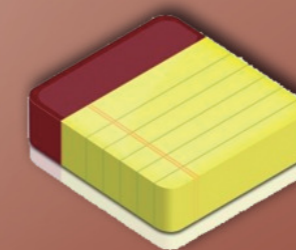
Drainage

Drainage valve - 57.
Flashing - 57.



Alignment and Finishes

Alignment corners - 58.
Available finishes - 59.

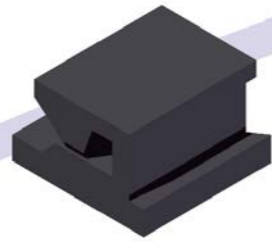
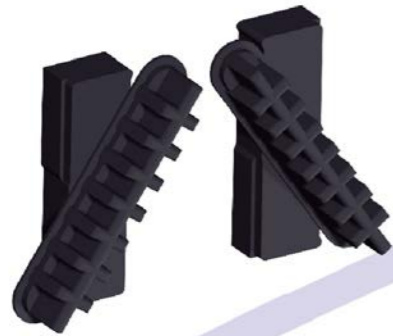


Notes

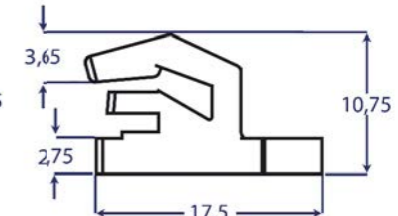
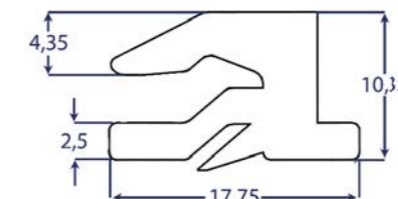
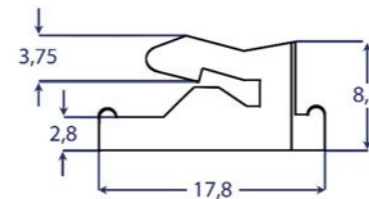
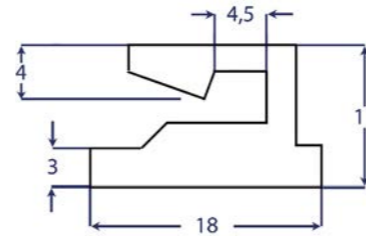
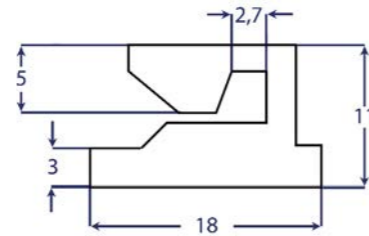
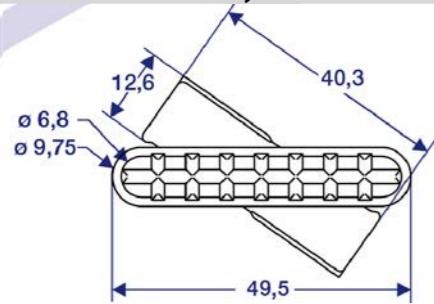
Notes - 60 - 61.

Various

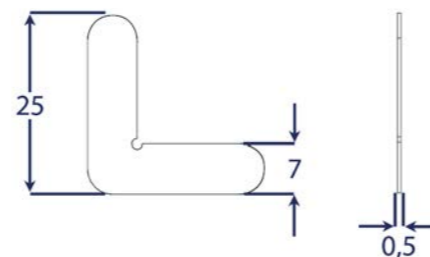
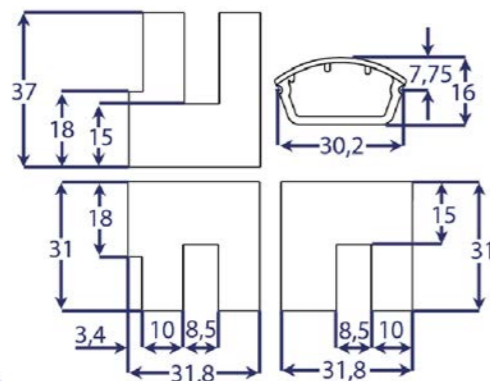
Accessories Various



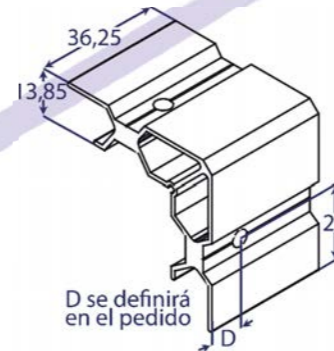
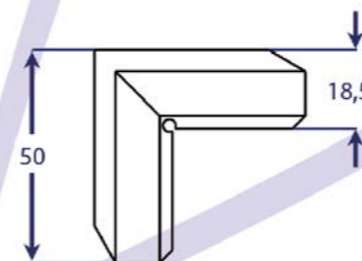
REFERENCE:	3050 (Jgo, Izq o Der)	G4685	G4686	G4687	G4688	G4689	:REFERENCE
DESCRIPTION:	Soporte lama mallorquina	Jonquil narrow staples	Jonquil wide staples	Jonquil staples Green	Jonquil Iberian staples	Jonquil staples S/16,17,18	:DESCRIPTION
MATERIAL:	Nylon	Nylon	Nylon	Nylon	Nylon	Nylon	:MATERIAL



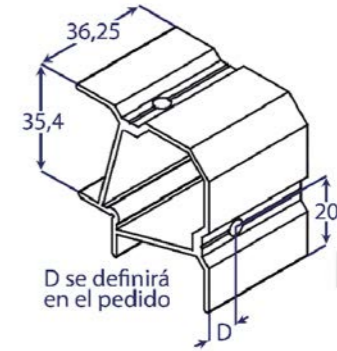
REFERENCE:	TP100 NG/BL	Esca7x0,5	E4687	Esc40x20	Esc40x40	:REFERENCE
DESCRIPTION:	Set Aliasig top AL21	Alignment corner	Alignment Green corner	Corner joint	Corner joint	:DESCRIPTION
MATERIAL:	Nylon (Black/White)	Steel	Nylon	Aluminum	Aluminum	:MATERIAL



Consult other measures.

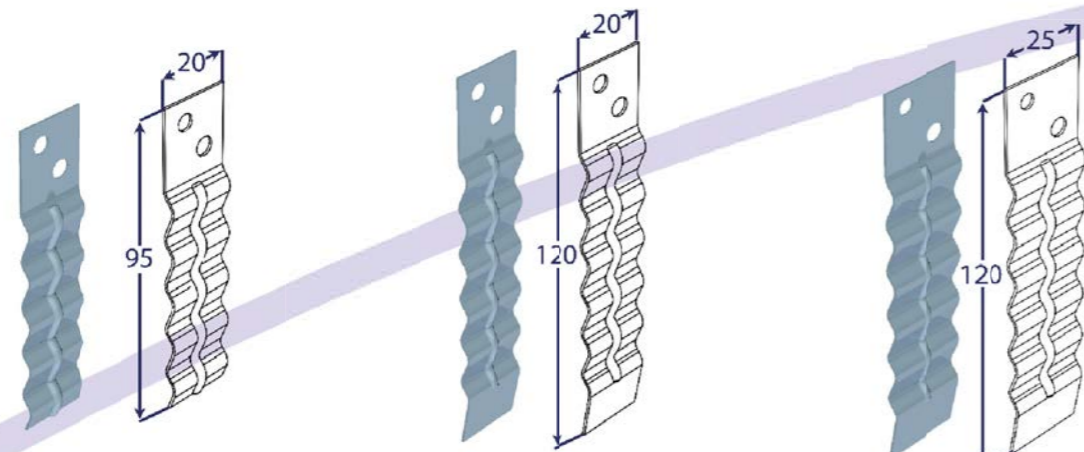


D se definirá en el pedido

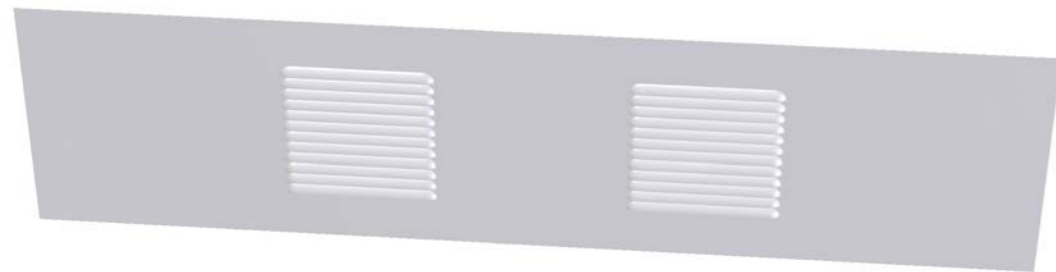


D se definirá en el pedido

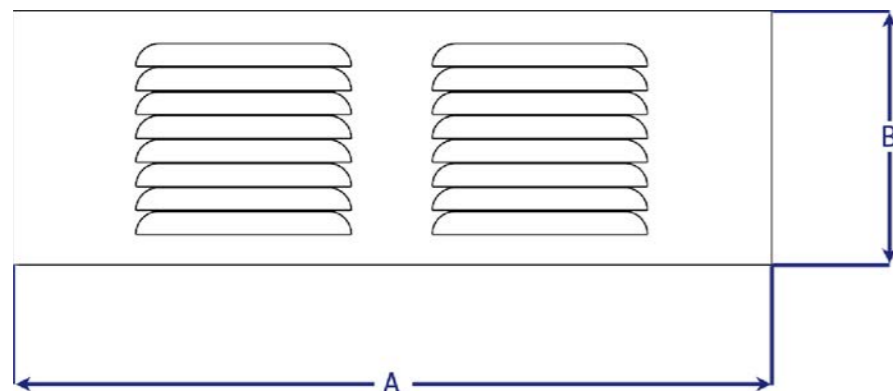
Accessories Various



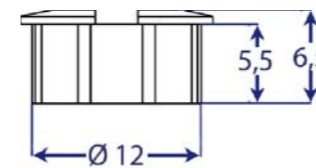
REFERENCE:	213 Short	213	214
DESCRIPTION:	Fixing frame anchor	Fixing frame anchor	Fixing frame anchor
MATERIAL:	Plate 0,6 mm	Plate 0,6 mm	Plate 0,8 mm
BOX DIMENSIONS :	320x285x240	320x285x240	445x340x220
WEIGHT/BOX:	13,5 Kg.	14 Kg.	23 Kg.
QUANTITY/BOX:	2.000	1.500	1.500



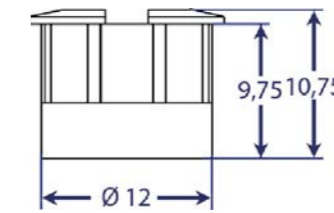
REFERENCE:	517	518	520	521	51030	51020	51530
A (width):	700 mm	800 mm	200 mm	150 mm	300 mm	200 mm	300 mm
B (high):	200 mm	200 mm	200 mm	150 mm	100 mm	100 mm	150 mm
DIES:	2	2	1	1	2	2	2
DIES MEASURE:	120X120	120X120	120X120	120X120	75X75	75X75	120X120



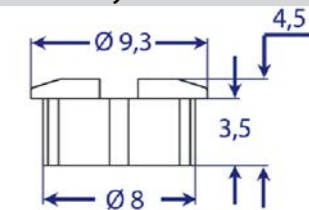
V01
Short drainage valve
Nylon



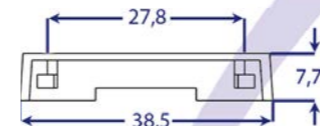
V02
Long drainage valve
Nylon



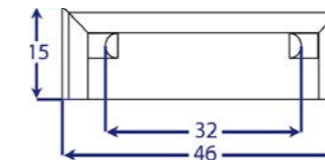
V03
Mini drainage valve
Nylon



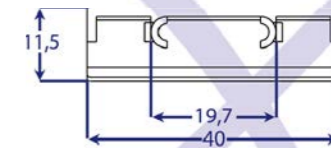
V2300
Drain plug
Nylon



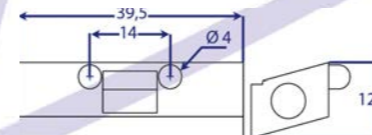
V4020
Drain plug
Nylon



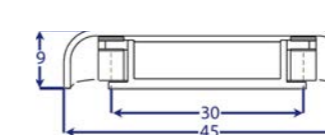
VP60/P65/P92
Drain plug
Nylon



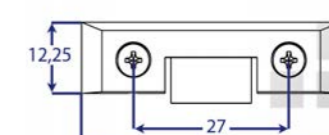
V9200
Drain plug
Nylon



V1000
Drain Plug
Nylon



V1311
Drain Plug
Nylon



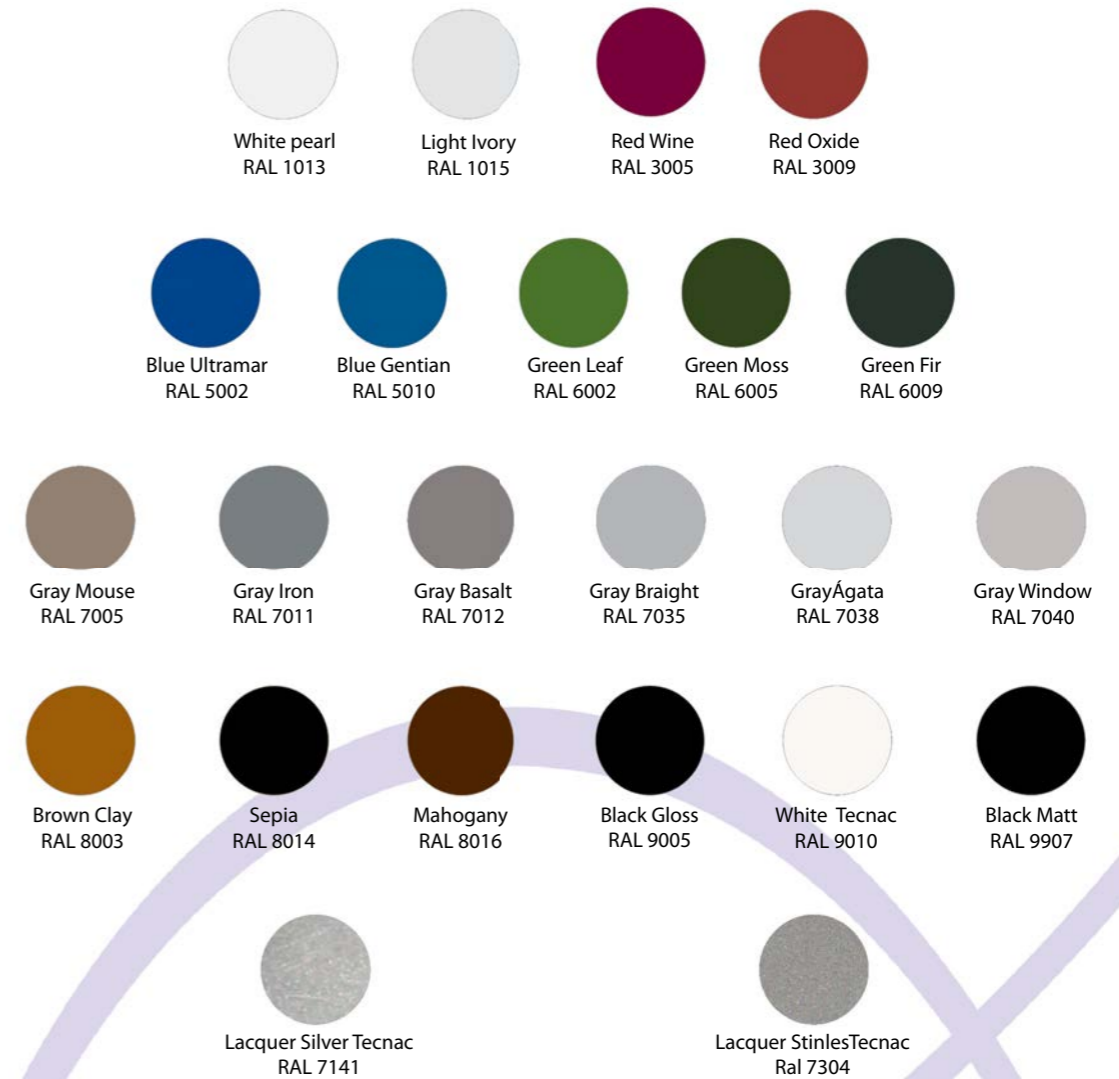
Alignment and Finishes



REFERENCE:	ESCA	ESCAT	ESCAE	ESCAA
ANCHORAGE:	Simple guided	Screwed guided	Studded guided	Simple guided
MATERIAL:	Steel/Stainless	Steel/Stainless	Steel/Stainless	Steel/Stainless
BAGGED:	250/500 un.	250 un.	250 un.	250 un.
BOX DIMENSIONS :	260x260x215	260x260x215	260x260x215	260x260x215
WEIGHT/BOX:	-	-	-	-
QUANTITY/BOX:	-	-	-	-
QUANT. MAX. EUROPALLET:	-	-	-	-
AVAILABLE MEASURES:	ESCA 3,9x0,6 ESCA 4,8x0,6 ESCA 4,8x0,8 ESCA 4,8x1 ESCA 4,8x1,2 ESCA 4,8x2 ESCA 5,6x0,6 ESCA 5,6x0,8 ESCA 5,6x1 ESCA 5,6x1,5 ESCA 7x0,5 ESCA 7x0,6 ESCA 7x0,8 ESCA 7x0,8 C.A. ESCA 7x1,5 ESCA 7x2,5 ESCA 9,7x1,5 ESCA 12,7x1 ESCA 20x1,2 ESCA 23,5x1,2	ESCAT 9,6x1,2 ESCAT 9,6x1,5 ESCAT 9,7x1,5 D.fixing ESCAT 10,6x1,5 (steel) ESCAT 10,6x1,5 ESCAT 12x2 (steel) ESCAT 12x2 C.P. (T.Planes) ESCAT 12x2 P.A. (P.High)	ESCAE 7,3x2,5 ESCAE 9,6x2 ESCAE 12x2 ESCAE 12x2,5	ESCAA 9,7x0,8 ESCAA 9,7x1,2 ESCAA 9,7x1,2 (inox) ESCAA 9,6x0,8



Our available finishes



Wood finishes for our grilles.



The entire RAL chart is available upon request.



Notes